

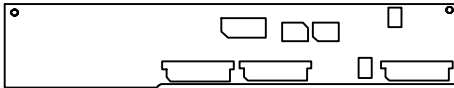
INT-24

Optional Interface Board

Installation Instructions

Description

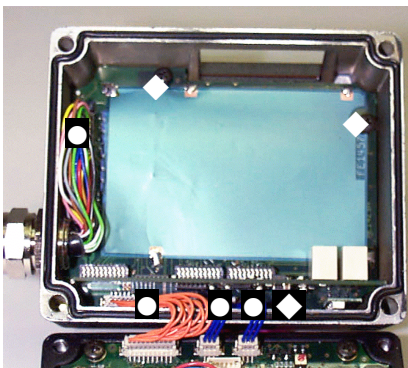
The INT-24 accessory for DS4300 and DS4600 is an optional interface board which provides 20 mA active C.L. communications.



INT-24 General View

Installation

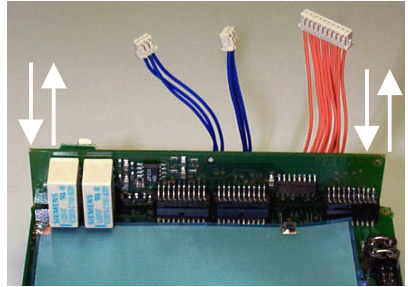
1. Open the scanner by unscrewing the 4 cover screws as described in the Installation Manual.
2. Disconnect the 4 cables (●).



● Cables. ◆ Mother board fixing screws.

3. Detach the mother-board by unscrewing the 3 fixing screws (◆).

4. Remove the standard Interface board from the mother-board.
5. Install the INT-24 board on the connectors provided on the mother-board.

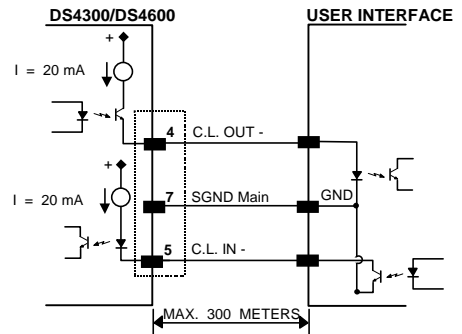


6. Mount the mother-board inside the scanner.
7. Reconnect the 4 cables and screw the scanner's cover back into place.

Pinout

The following pins of the 25-pin connector of the scanner are used for the connections:

Pin	Name	Function
4	CLOUT -	Current Loop output -
5	CLIN -	Current Loop input -
7	SGND Main	Signal Ground



20 mA active C.L. connections

NOTE

For 20 mA passive current loop interface connections, contact your local Datalogic representative.