



---

## TC1200



## Reference Manual

---



Datalogic Automation Srl  
Via Lavino, 265  
40050 - Monte S. Pietro  
Bologna - Italy

TC1200 Reference Manual

Ed.: 05/2011

This manual refers to software release 1.0.0 or later.

© 2008 – 2011 Datalogic Automation S.r.l. ♦ ALL RIGHTS RESERVED. ♦ Protected to the fullest extent under U.S. and international laws. Copying, or altering of this document is prohibited without express written consent from Datalogic Automation S.r.l.

Datalogic and the Datalogic logo are registered trademarks of Datalogic S.p.A. in many countries, including the U.S.A. and the E.U.

Aladdin and is a trademark of Datalogic S.p.A. All other brand and product names mentioned herein are for identification purposes only and may be trademarks or registered trademarks of their respective owners.

Datalogic shall not be liable for technical or editorial errors or omissions contained herein, nor for incidental or consequential damages resulting from the use of this material.

13/05/11

# CONTENTS

---

<b>REFERENCES .....</b>	<b>ix</b>
Conventions.....	ix
Reference Documentation .....	ix
Services and Support .....	ix
Patents.....	ix
<b>SAFETY AND COMPLIANCE NOTICES.....</b>	<b>x</b>
FCC Compliance .....	x
Power Supply.....	x
CE Compliance.....	x
Handling.....	xi
<b>1 INTRODUCTION .....</b>	<b>1</b>
1.1 Configuration Methods.....	1
1.1.1 Configuration Using Datalogic Aladdin™ .....	1
1.1.2 Configuration Using Serial Programming Strings .....	1
1.1.3 Configuration Using Programming Barcode Labels.....	1
1.2 Button and LED Indicators.....	2
1.3 Available Models.....	2
1.4 accessories.....	3
<b>2 INSTALLATION .....</b>	<b>4</b>
2.1 TC1200 CCD Scanner.....	4
2.1.1 Mechanical Installation .....	4
2.1.2 GFC-1200 105° Deflection Mirror .....	5
2.1.3 CAB-TC1200 Adaptor Cable .....	7
2.1.4 Electrical Connections .....	8
2.2 TC1200 CCD Scan Engine.....	12
2.2.1 Mechanical Installation .....	12
2.2.2 Electrical Connections .....	13
2.3 Positioning .....	17
<b>3 SOFTWARE CONFIGURATION STRINGS.....</b>	<b>18</b>
3.1 TC1200 Configuration.....	18
<b>4 BARCODE CONFIGURATION .....</b>	<b>35</b>
4.1 Initial Setup.....	35
Restore Default.....	35
Interface Selection .....	35
4.2 Changing Default Settings.....	37
Global Interface Features .....	38
<b>RS232.....</b>	<b>39</b>
Baud Rate.....	40
Parity.....	40
Data Bits .....	41
Stop Bits .....	41
<b>RS232/USB-COM.....</b>	<b>42</b>
Intercharacter Delay .....	43
Disable Character .....	43

Enable Character .....	43
ACK/NAK Options .....	43
ACK Character .....	43
NAK Character .....	44
ACK/NAK Timeout .....	44
ACK/NAK Retry Count .....	44
ACK/NAK Error Handling .....	44
<b>USB-KBD .....</b>	<b>45</b>
Keyboard Country .....	46
Keyboard Country (continued) .....	47
Keyboard Intercode Delay .....	47
Send Control Characters .....	48
USB Keyboard Speed .....	48
USB Keyboard Speed (continued) .....	49
<b>READING PARAMETERS .....</b>	<b>50</b>
Illumination Mode .....	51
Operating Mode .....	51
Automatic Threshold .....	51
Phase Off Event .....	52
Timeout .....	52
Serial Start .....	52
Serial Stop .....	52
LED Indication .....	52
Label Programming Mode .....	53
<b>DATA FORMAT .....</b>	<b>54</b>
Data Transmission .....	55
Code Verifier Mode .....	55
Match String .....	55
Wrong Code String .....	55
Case Conversion .....	56
Global Prefix .....	56
Global Suffix .....	56
No Read String .....	56
Transmit AIM IDs .....	57
Transmit Custom Label IDs .....	57
Custom Label Identifiers .....	57
Custom Label Identifiers (continued) .....	58
Custom Label Identifiers (continued) .....	59
Custom Code Identifiers (continued) .....	60
<b>DIGITAL OUTPUTS .....</b>	<b>61</b>
Output 1 Activation Event .....	62
Output 1 Deactivation Event .....	62
Output 1 Deactivation Timeout .....	62
Output 1 Activation Event .....	62
Output 2 Activation Event .....	63
Output 2 Deactivation Event .....	63
Output 2 Deactivation Timeout .....	63
Output 2 Activation Event .....	63
<b>POWER SAVE .....</b>	<b>64</b>
Sleep Mode Timeout .....	65

<b>CODE SELECTION</b> .....	<b>66</b>
UPC-A.....	67
Check Character Tx.....	67
Expand to EAN-13.....	67
Number System Tx.....	67
UPC-A Minimum Reads.....	68
Coupon Control.....	68
UPC-E.....	69
Check Character Tx.....	69
Expand to UPC-A.....	69
Expand to EAN-13.....	69
Number System Tx.....	70
UPC-E Minimum Reads.....	70
EAN-13.....	71
Check Character Tx.....	71
ISBN Conversion.....	71
ISSN Conversion.....	71
Flag 1 Character.....	72
EAN-13 Minimum Reads.....	72
Coupon Control.....	72
EAN-8.....	73
Check Character Tx.....	73
Expand to EAN-13.....	73
EAN-8 Minimum Reads.....	73
Enable Optional P2 Add-On.....	74
Enable Optional P5 Add-On.....	74
P2 Minimum Reads.....	74
P5 Minimum Reads.....	75
Optional Add-On Timer.....	75
GTIN Format.....	76
Decoding Level.....	76
Character Correlation.....	76
In-Store Minimum Reads.....	77
Code 39.....	77
Code 39 Full ASCII.....	77
Code Length Control.....	77
Set Length.....	78
Code 39 Check Tx.....	78
Code 39 Start/Stop Tx.....	78
Code 32 (Italian Pharmaceutical).....	79
Code 32 Check Tx.....	79
Code 32 Start/Stop Tx.....	79
Check Calculation.....	80
Minimum Reads.....	80
Decoding Level.....	81
Character Correlation.....	81
Interdigit Ratio.....	81
Quiet Zones.....	82
Stitching.....	82
Code 128.....	83
GS1-128 Enable.....	83
Code Length Control.....	83
Set Length.....	83
Expand to Code 39.....	84
Check Tx.....	84

Function Character Tx .....	84
Sub-Code Change Tx .....	84
Minimum Reads .....	85
Decoding Level .....	85
Character Correlation .....	86
Quiet Zones .....	86
Stitching .....	86
ISBT 128 Concatenation .....	87
Concatenation Mode .....	87
Dynamic Concatenation Timeout .....	87
Interleaved 2 of 5 .....	88
Code Length Control .....	88
Set Length .....	88
Check Calculation .....	89
Check Tx .....	89
Minimum Reads .....	90
Decoding Level .....	90
Character Correlation .....	91
Stitching .....	91
Zero Pattern .....	91
Standard 2 of 5 .....	92
Code Length Control .....	92
Set Length .....	92
Check Calculation .....	92
Check Tx .....	93
Minimum Reads .....	93
Decoding Level .....	94
Character Correlation .....	94
Stitching .....	94
Codabar .....	95
Code Length Control .....	95
Set Length .....	95
Codabar ABC .....	96
Concatenation Mode .....	96
Dynamic Concatenation Timeout .....	96
Check Calculation .....	97
Check Tx .....	97
Start/Stop Set .....	97
Start/Stop Tx .....	98
Start/Stop Match .....	98
Minimum Reads .....	98
Decoding Level .....	99
Character Correlation .....	99
Interdigit Ratio .....	99
Quiet Zones .....	100
Stitching .....	100
Code 11 .....	101
Code Length Control .....	101
Set Length .....	101
Check Calculation .....	102
Check Tx .....	102
Minimum Reads .....	103
Decoding Level .....	103
Character Correlation .....	104
Interdigit Ratio .....	104

Stitching.....	104
GS1 DataBar Omnidirectional.....	105
GS1 DataBar Omnidirectional GS1-128 Emulation.....	105
Minimum Reads.....	105
GS1 DataBar Expanded.....	106
GS1 DataBar Expanded GS1-128 Emulation.....	106
Code Length Control.....	106
Set Length.....	106
Minimum Reads.....	107
Coupon Control.....	107
GS1 DataBar Limited.....	108
GS1 DataBar Limited GS1-128 Emulation.....	108
Minimum Reads.....	108
Code 93.....	109
Code Length Control.....	109
Set Length.....	109
Check Calculation.....	110
Check Tx.....	110
Minimum Reads.....	111
Decoding Level.....	111
Character Correlation.....	112
Quiet Zones.....	112
Stitching.....	112
MSI.....	113
Code Length Control.....	113
Set Length.....	113
Check Calculation.....	114
Check Tx.....	114
Minimum Reads.....	115
Decoding Level.....	115
Stitching.....	116
<b>5 PARAMETER REFERENCES.....</b>	<b>117</b>
5.1 RS232 Parameters.....	117
5.1.1 RS232 Only.....	117
5.1.2 RS232/USB COM Parameters.....	118
5.2 Reading Parameters.....	122
5.2.1 Illumination Mode.....	122
5.2.2 Operating Mode.....	123
5.2.3 Good Read LED.....	126
5.3 Data Formatting.....	127
5.3.1 Global Prefix/Suffix.....	128
5.3.2 Code Identifiers.....	130
5.3.3 Code Verifier.....	133
5.4 Digital Outputs.....	134
5.5 Power Save.....	135
5.6 Code Selection.....	135
5.6.1 Concatenation.....	137
5.6.2 Set Length.....	138
<b>6 TECHNICAL FEATURES.....</b>	<b>140</b>
6.1 Reading Diagrams.....	141
<b>A DEFAULT PARAMETERS TABLE.....</b>	<b>142</b>

**B**    **KEYPAD..... 146**

**C**    **ASCII/HEX/DECIMAL CHART..... 148**

**D**    **RESERVED CHARACTERS..... 150**

# REFERENCES

---

## CONVENTIONS

This manual uses the following conventions:

“User” or “Operator” refers to anyone using a TC1200.

“Device” refers to the TC1200.

“You” refers to the System Administrator or Technical Support person using this manual to install, mount, operate, maintain or troubleshoot a TC1200.

## REFERENCE DOCUMENTATION

The documentation related to the TC1200 management is listed below:

- GFC-TC1200 Installation Manual
- Datalogic Aladdin™ Help On Line

## SERVICES AND SUPPORT

Datalogic provides several services as well as technical support through its website. Log on to **[www.automation.datalogic.com](http://www.automation.datalogic.com)** and click on the links indicated for further information:

- **PRODUCTS**

Search through the links to arrive at your product page which describes specific Info, Features, Applications, Models, Accessories, and Downloads including the Datalogic Aladdin™ utility program, which allows device configuration using a PC. It provides RS232 and USB-COM interface configuration.

- **SERVICE**

- **Overview** - Warranty Extensions and Maintenance Agreements
- **Sales Network**- Listing of Subsidiaries, Repair Centers, Partners
- **Helpdesk**
- **Material Return Authorization**

## PATENTS

This product is covered by one or more of the following patents:

US Patents: 5,311,000; 5,481,098; 5,929,421; 5,992,740; 6,098,883; 6,260,764; 6,443,360 B1; 7,075,663 B2.

European Patents: 789,315 B1; 926,620 B1; 997,760 B1; 1,217,571 B1.

Additional patents pending.

# **SAFETY AND COMPLIANCE NOTICES**

---

## **FCC COMPLIANCE**

Modifications or changes to this equipment without the expressed written approval of Datalogic could void the authority to use the equipment.

This device complies with PART 15 of the FCC Rules. Operation is subject to the following two conditions: (1) This device may not cause harmful interference, and (2) this device must accept any interference received, including interference which may cause undesired operation.

This equipment has been tested and found to comply with the limits for a Class A digital device, pursuant to part 15 of the FCC Rules. These limits are designed to provide reasonable protection against harmful interference when the equipment is operated in a commercial environment. This equipment generates, uses, and can radiate radio frequency energy and, if not installed and used in accordance with the instruction manual, may cause harmful interference to radio communications. Operation of this equipment in a residential area is likely to cause harmful interference in which case the user will be required to correct the interference at his own expense.

## **POWER SUPPLY**

**This product is intended to be installed by Qualified Personnel only.**

This accessory device is intended to be supplied by a UL Listed or CSA Certified Power Unit with «Class 2» or LPS power source, which supplies power directly to the scanner via the 9-pin or USB connector.

## **CE COMPLIANCE**

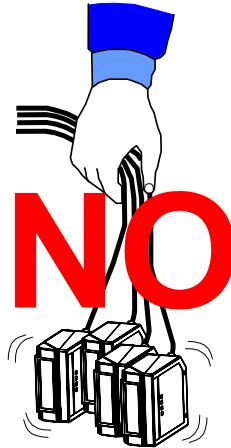
### **Warning:**

This is a Class A product. In a domestic environment this product may cause radio interference in which case the user may be required to take adequate measures.

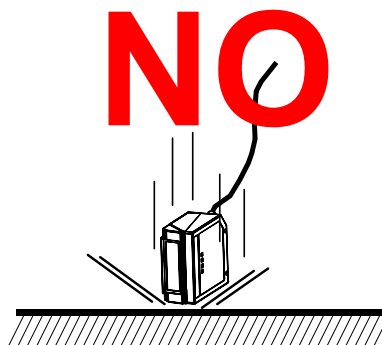
## HANDLING

The TC1200 is designed to be used in an industrial environment and is built to withstand vibration and shock when correctly installed, however it is also a precision product and therefore before and during installation it must be handled correctly to avoid damage.

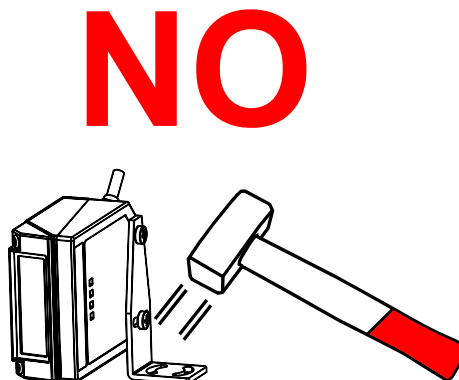
- avoid that the scanners hit one another causing damage. They should be handled separately.



- avoid that the scanners are dropped (exceeding shock limits).



- do not fine tune the positioning by striking the scanner or bracket.



- do not weld the scanner into position which can cause electrostatic, heat or output window damage.



- do not spray paint near the scanner which can cause output window damage.



# 1 INTRODUCTION

---

The TC1200 compact CCD reader is the perfect solution for many OEM applications. It contains a built-in decoder and multi-standard interface. Due to its well-balanced mix of technical characteristics it is perfect for integration into custom equipment, setting a new standard in this product class.

This Reference Manual provides connection diagrams, default parameter listing, complete application parameter settings, specific technical features and reading diagrams.

## 1.1 CONFIGURATION METHODS

### 1.1.1 Configuration Using Datalogic Aladdin™ (for RS232/USB-COM Interfaces)

The easiest way to configure TC1200 is by using the **Datalogic Aladdin™** utility program downloadable from: [www.automation.datalogic.com](http://www.automation.datalogic.com).

Aladdin allows you to program the TC1200 reader by selecting configuration commands through a user-friendly graphical interface running on a PC. These commands are sent to the reader over the selected communication interface, or they can be printed as barcodes to be scanned.

Aladdin also provides Help On-Line files explaining how to use the program as well as descriptions of the configuration parameters.

Aladdin also provides the ability to perform a software upgrade for the connected device (see the Datalogic Aladdin™ Help On-Line for more details).

### 1.1.2 Configuration Using Serial Programming Strings (for RS232/USB-COM Interfaces)

This manual contains the complete set of command strings for TC1200 configuration. These strings can be sent via the RS232/USB-COM interface using a terminal emulator such as HyperTerminal.

Refer to Chapter 3 of this manual for configuration procedures using Serial Strings sent by the Host.

### 1.1.3 Configuration Using Programming Barcode Labels (for all Interfaces)

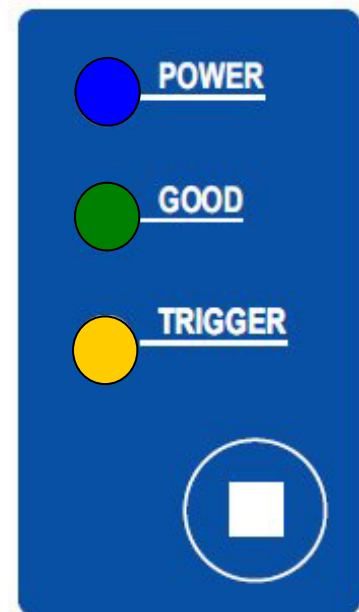
Refer to Chapter 4 of this manual for configuration procedures using Programming Barcode Labels.

## 1.2 BUTTON AND LED INDICATORS

On the face of the TC1200 scanner a keypad is present with a button and three indicator LEDs which are described in the table below.



TC1200 Scanner



TC1200 Keypad

INDICATORS	Color	MEANING
POWER LED	Blue	ON = Power ON
		OFF = Power OFF or standby (only USB model)
GOOD Read LED	Green	ON = Good Read
		OFF = No Read
		Blinks = USB enumeration
TRIGGER LED	Yellow	ON = External trigger or button pressed
		OFF = No trigger
Button		Press for manual trigger

## 1.3 AVAILABLE MODELS

The TC1200 reader is available in models that differ in regard to the following characteristics:

- Output Interface
- Enclosure

The following models are therefore available:

- **TC1200-1000** CCD Reader, RS232
- **TC1200-1100** CCD Reader, USB
- **TC1200-0000** Scan Engine CCD Reader, RS232
- **TC1200-0100** Scan Engine CCD Reader, USB

## 1.4 ACCESSORIES

The following accessories are available to simplify installation and optimize product performance:

<b>Name</b>	<b>Description</b>	<b>Part Number</b>
CAB-TC1200	CBX Adapter Cable 10-30 Vdc Power Supply	93A051388
GFC-1200	105° Deflection Mirror for TC1200	93ACC1891



### 2.1.2 GFC-1200 105° Deflection Mirror

The GFC-1200 is a 105° deflection mirror that is mounted directly to the TC1200 Scanner.

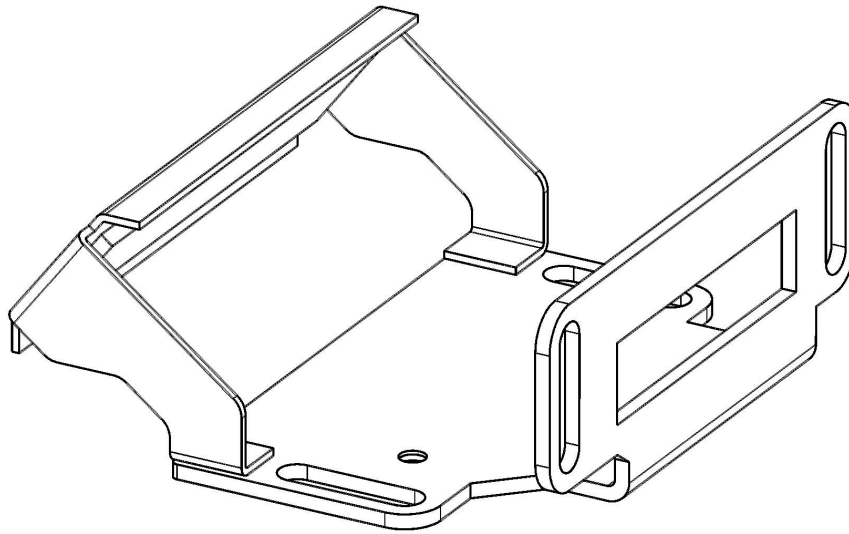


Figure 2 - GFC-1200

The overall dimensions are provided in the figure below and can be used for its mounting.

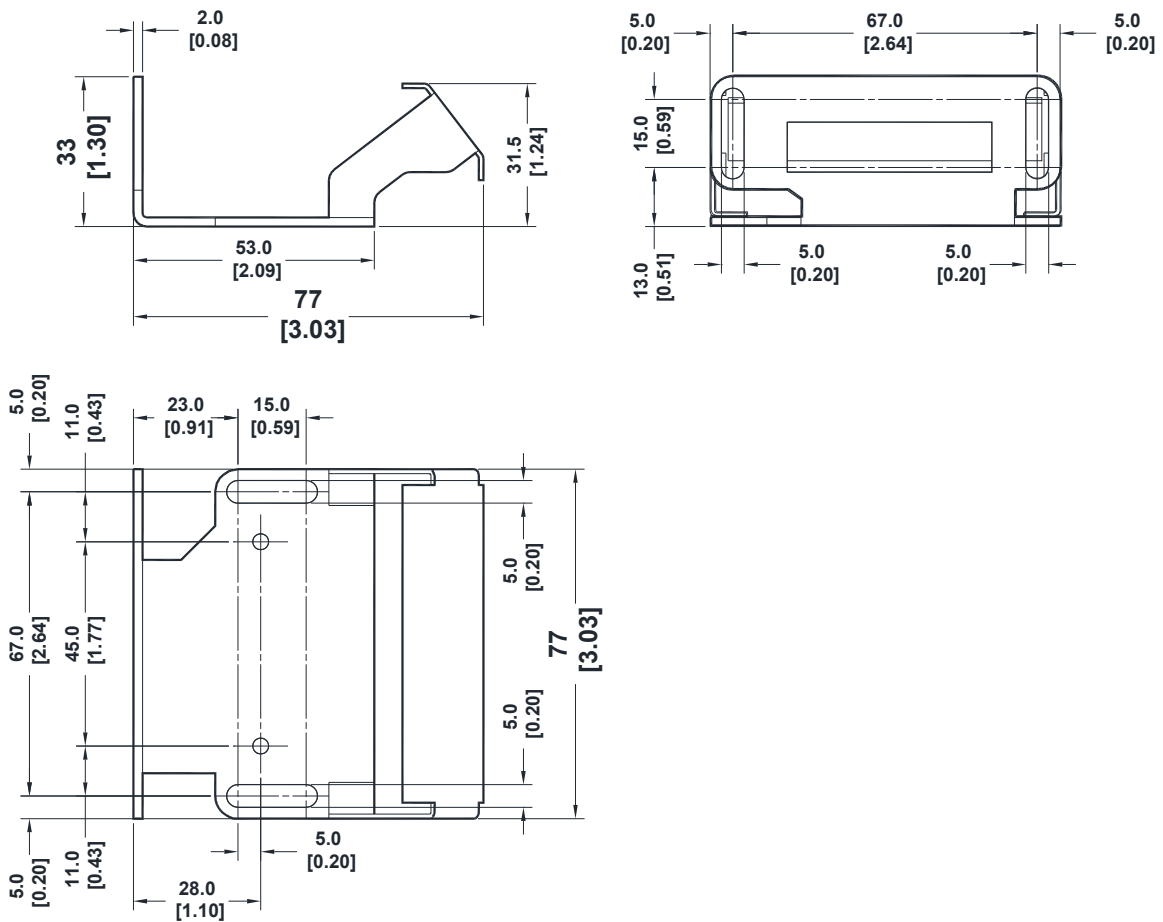


Figure 3 - GFC-1200 Overall Dimensions

To fix a TC1200-1x00 Scanner to the GFC-1200, use two **M3x5** mm screws included in the GFC-1200 package. An extra screw is also supplied as a spare part.

Refer to the figure below.

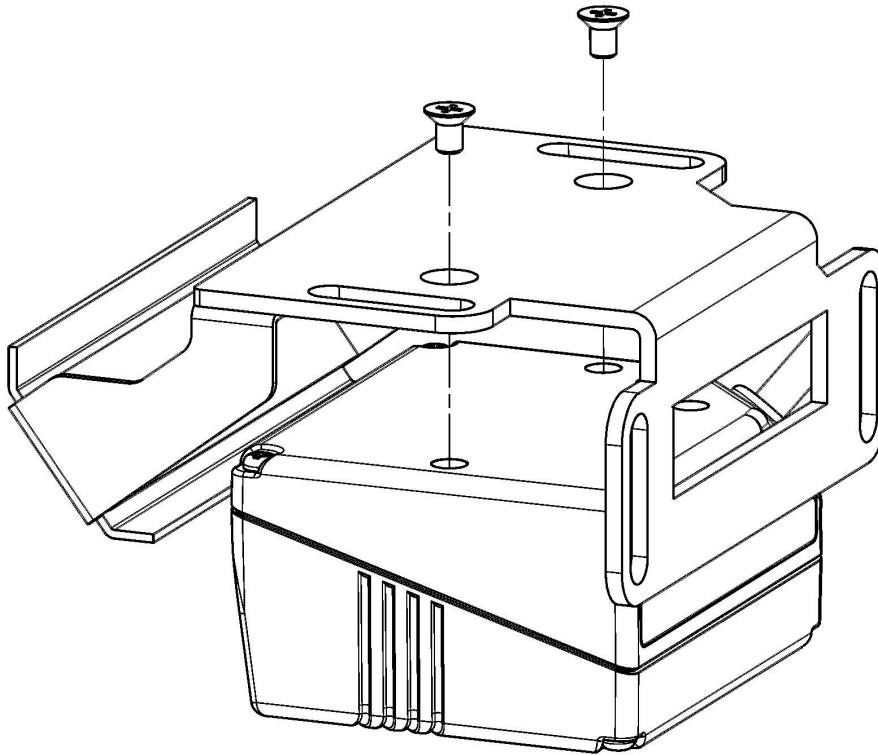


Figure 4 – Fixing TC1200 Scanner to GFC-1200

Based upon the 105° orientation, this mirror embeds the 15° skew angle ( $\pm 1.5^\circ$ ), necessary to avoid direct light reflection from the target label. This feature allows mounting the TC1200+GFC-1200 group parallel to the target surface, keeping the overall mounting space to a minimum.

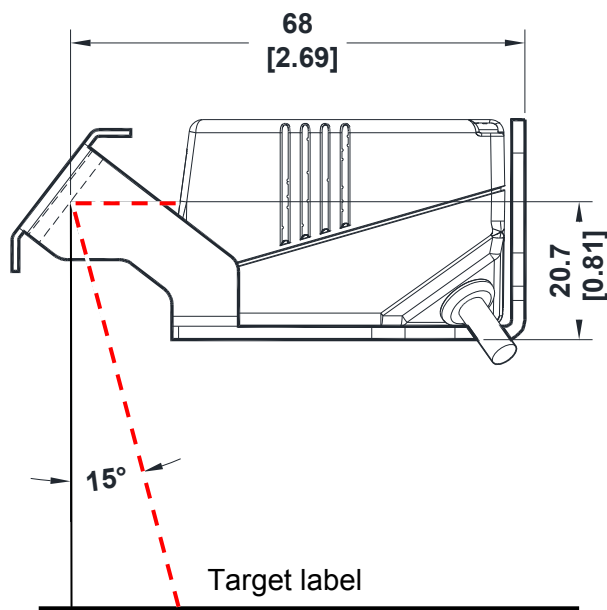


Figure 5 – Maintaining Minimum Skew Angle

### 2.1.3 CAB-TC1200 Adaptor Cable

In order to connect the TC1200 to a CBX100 connection box, you can use the CAB-TC1200 adapter cable. This cable converts the 10-30 Vdc system power to the 5 Vdc necessary for the TC1200 reader. The cable has the following pinout:

25-Pin Connector		
13,9	VDC	Power supply input voltage + (10-30 Vdc)
25,7	GND	Power supply input voltage -
1	SHIELD	Cable Shield
18	EXT TRIG A	External Trigger A (polarity insensitive)
19	EXT TRIG B	External Trigger B (polarity insensitive)
8	OUT1 +	Output 1 positive
11	OUT2 +	Output 2 positive
12,22	OUT1/2 -	Output 1/2 negative
20	RX	Receive data (RS232 Aux on CBX)
21	TX	Transmit data (RS232 Aux on CBX)
2,3,4,5,6,10,23,24	NC	Not connected

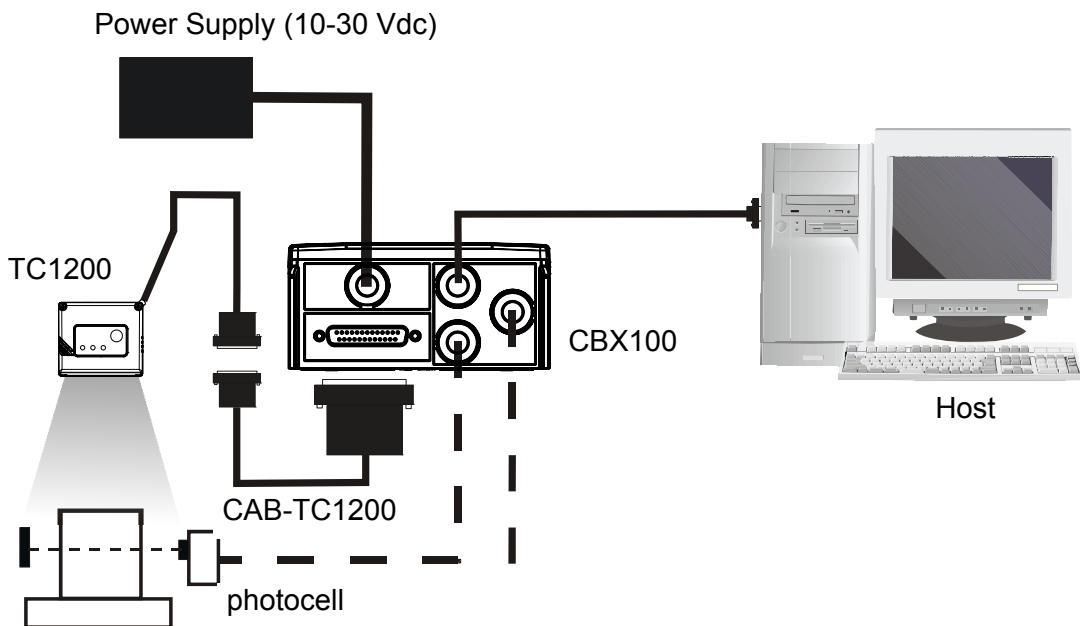


Figure 6 – Typical Layout Using CAB-TC1200

### 2.1.4 Electrical Connections

The TC1200-1000 Scanner is equipped with a 9-pin Male D-Sub connector for connection to the power supply and input/output signals. The details of the connector pins are indicated in the following table:

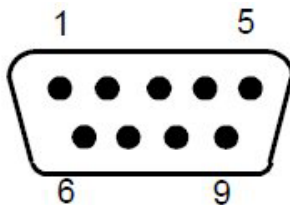


Figure 7 - 9-pin Male D-sub Connector

9-pin Connector		
1	VCC	+5 Vdc
2	GND	Ground
3	RX	Receive Data
4	TX	Transmit Data
5	OUT1 +	Output signal 1, positive
6	OUT1/2 -	Output signal 1/2, negative
7	OUT2 +	Output signal 2, positive
8	EXT TRIG A	External Trigger Input (polarity insensitive)
9	EXT TRIG B	External Trigger Input (polarity insensitive)

Table 1 - TC1200-1000 Scanner Pinout

The TC1200-1100 Scanner is equipped with a USB Type A connector for connection to the PC standard USB Port. The details of the connector pins are indicated in the following table:



Figure 3 - USB Type A Connector

USB Type A Connector		
1	VCC	+5 Vdc
2	DATA -	USB Data, negative
3	DATA +	USB Data, positive
4	GND	Ground

Table 2 - TC1200-1100 Scanner Pinout

## RS232 Interface

The TC1200-1000 Scanner can communicate with the Host using the RS232 signals provided on the 9-pin connector. The pins are indicated in Table 1 and in the following diagram:

It is always advisable to use shielded cables. The overall maximum cable length must be less than 15 m (49.2 ft).

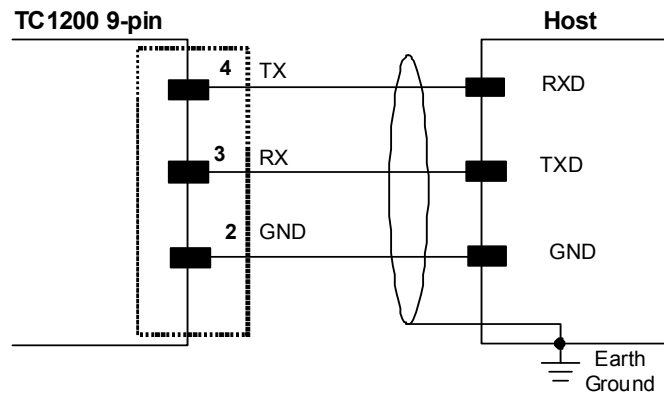


Figure 8 - RS232 Interface Connection to Host

## Input

There is an input available on the TC1200-1000 Scanner relative to the External Trigger used to signal the reading phase for On Line Operating Mode. The pins are indicated in Table 1. This input is optocoupled, polarity insensitive and can be driven by both an NPN or PNP type command. The connections are indicated in the following diagrams:

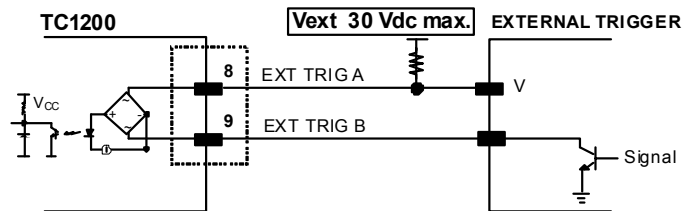


Figure 4 - Input NPN Command Using External Power

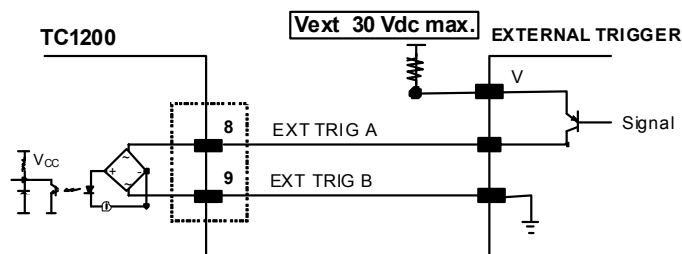


Figure 5 - Input PNP Command Using External Power

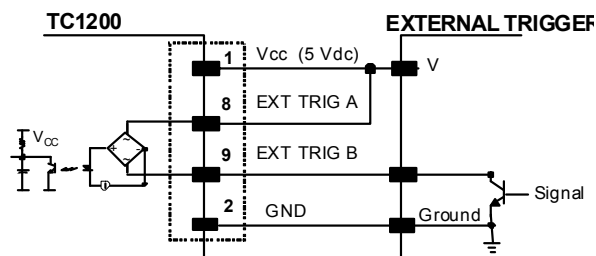


Figure 6 - Input NPN Command Using TC1200 Power

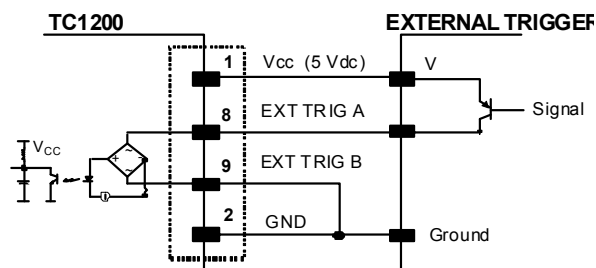


Figure 7 - Input PNP Command Using TC1200 Power

The External Trigger Input can also be activated by the external button (Push Button = Trigger On).

## Outputs

There are two outputs available on the TC1200-1000 Scanner. Each output can be activated on one of the following events: Good Read, No Read, Wrong Code.

The active level (high or low) of each Output can also be configured in software.

The pins are indicated in Table 1. The connections are indicated in the following diagram:

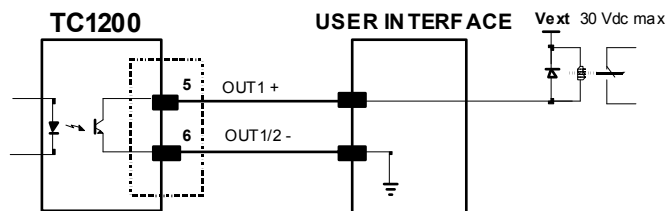


Figure 9 – Output1 Connection. Example NPN

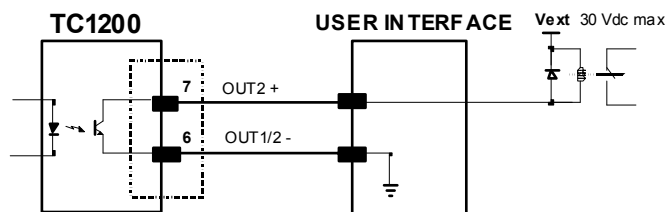


Figure 9 – Output2 Connection. Example NPN

## 2.2 TC1200 CCD SCAN ENGINE

### 2.2.1 Mechanical Installation

The diagram below gives the overall dimensions of the TC1200 Scan Engine and may be used for its installation.

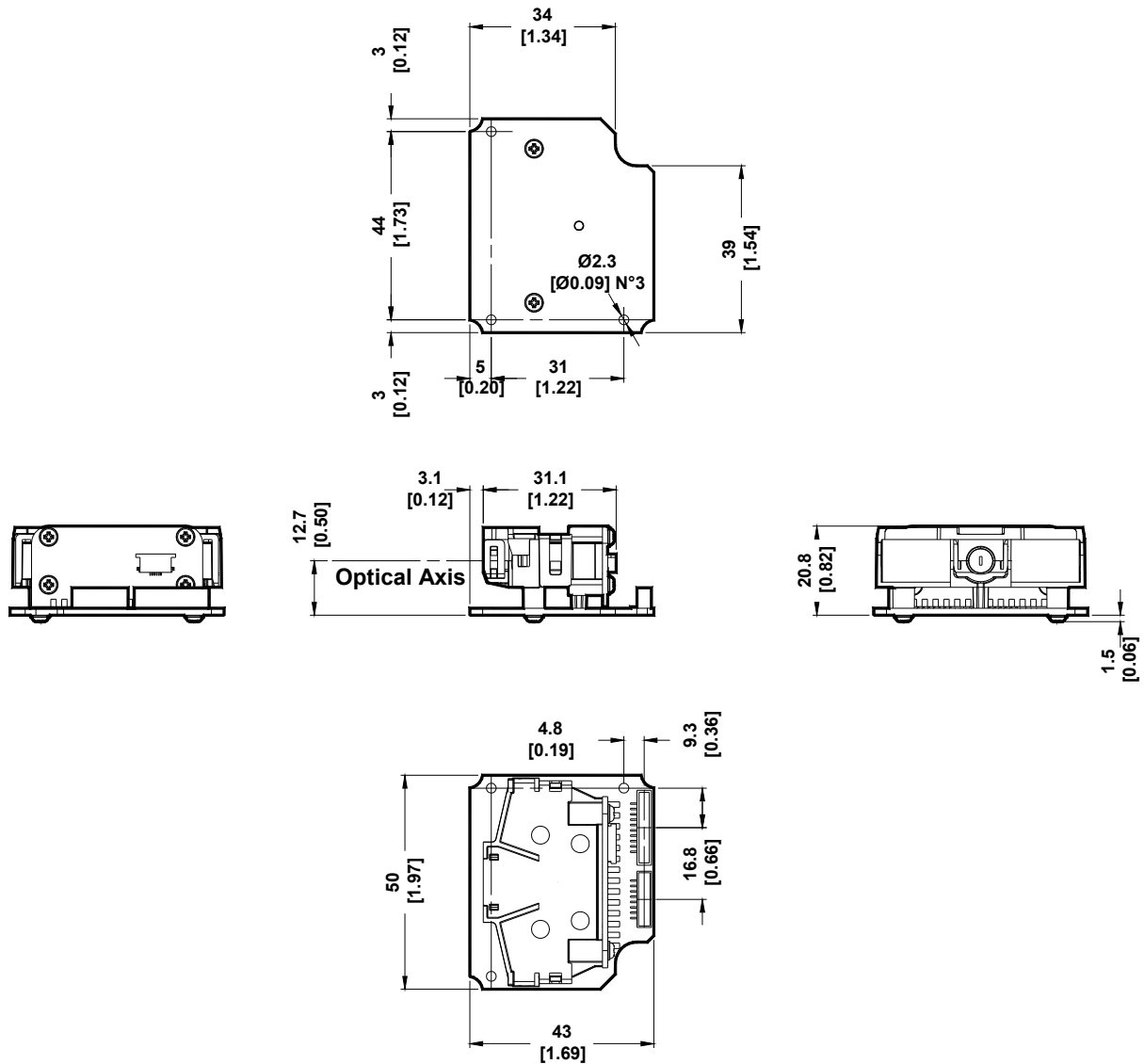


Figure 10 - Overall Dimensions

### 2.2.2 Electrical Connections

The TC1200-0X00 Scan Engine is equipped with an 8-pin and a 10-pin DF13 connector for connection to the power supply and input/output signals. The details of the connector pins are indicated in the following table:

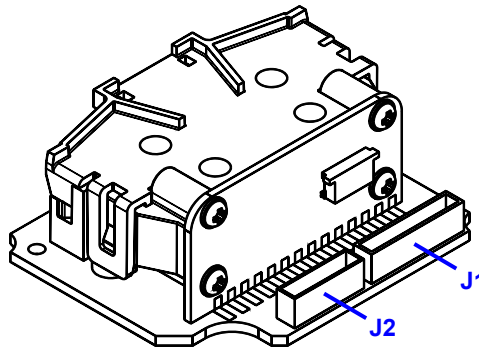


Figure 10 – 10 and 8-pin Connectors

J1		
Pin	Signal	Description
1	D-	USB Data negative
2	D+	USB Data positive
3	GND	power ground
4	GND	power ground
5	TX	transmit data
6	RTS	NOT USED
7	RX	receive data
8	CTS	NOT USED
9	VCC	+5 Vdc
10	GND	power ground

J2		
Pin	Signal	Description
1	GND	power ground
2		NC
3	OUT2 +	Output 2 positive
4	OUT1/2 -	Output 1/2 negative
5	OUT1 +	Output 1 positive
6		NC
7	EXT TRIG A	External Trigger Input (polarity insensitive)
8	EXT TRIG B	External Trigger Input (polarity insensitive)

Table 3 - TC1200 Scan Engine Pinout

## RS232 Interface

The TC1200-0000 Scan Engine can communicate with the Host using the RS232 signals provided on the J1 connector. The pins are indicated in Table 1 and in the following diagram:

It is always advisable to use shielded cables. The overall maximum cable length must be less than 15 m (49.2 ft).

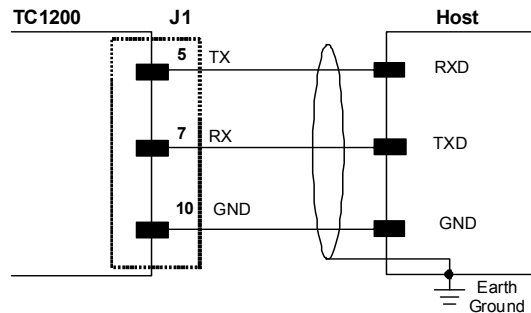


Figure 12 - RS232 Interface Connection to Host

## USB Interface

The TC1200-0100 Scan Engine can communicate with the Host using the USB signals provided on the J1 connector. The pins are indicated in Table 1 and in the following diagram:

It is always advisable to use shielded cables. The overall maximum cable length must be less than 15 m (49.2 ft).

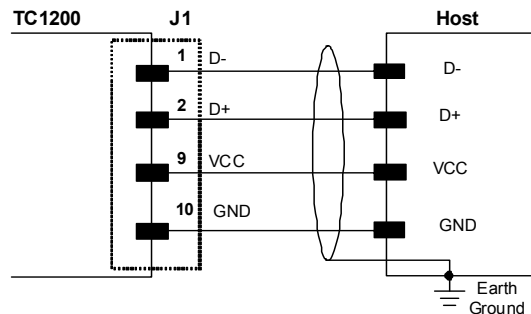


Figure 13 - USB Interface Connection to Host

### Input

There is an input available on the TC1200-0000 Scan Engine relative to the External Trigger used to signal the reading phase for On Line Operating Mode. The pins are indicated in Table 1. This input is optocoupled, polarity insensitive and can be driven by both an NPN or PNP type command. The connections are indicated in the following diagrams:

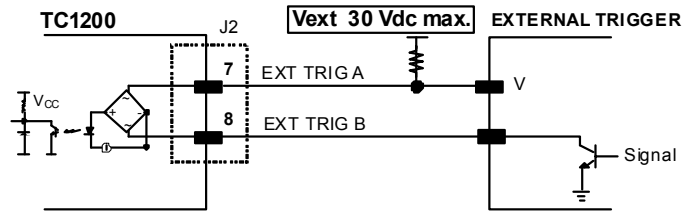


Figure 14 - Input NPN Command Using External Power

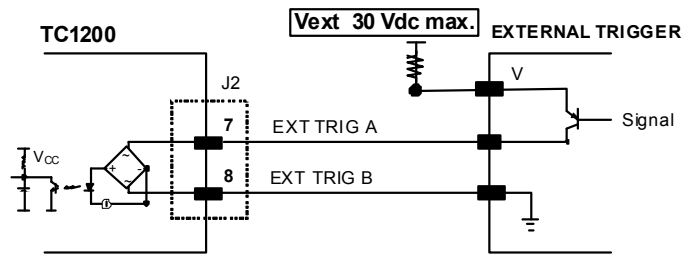


Figure 15 - Input PNP Command Using External Power

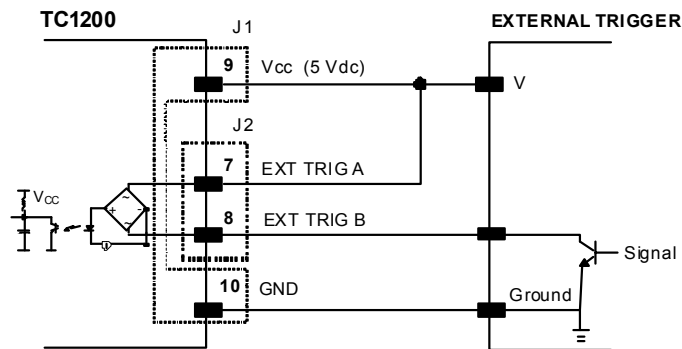


Figure 15 - Input NPN Command Using TC1200 Power

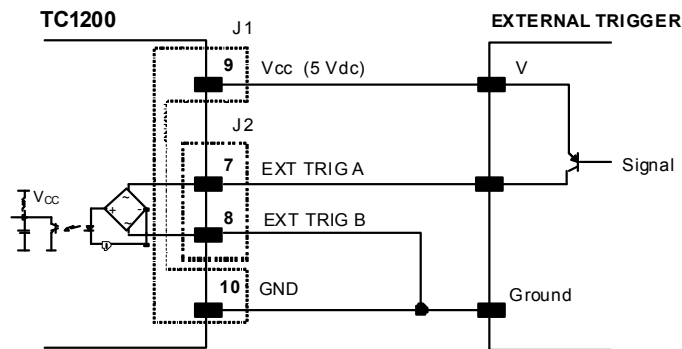


Figure 16 - Input PNP Command Using TC1200 Power

## Outputs

There are two outputs available on the TC1200-0000 Scan Engine. Each output can be activated on one of the following events: Good Read, No Read, Wrong Code.

The active level (high or low) of each Output can also be configured in software.

The pins are indicated in Table 1. The connections are indicated in the following diagram:

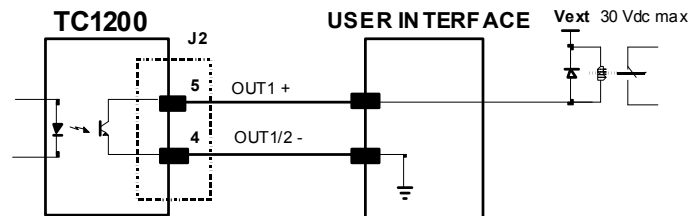


Figure 17 – Output1 Connection. Example NPN

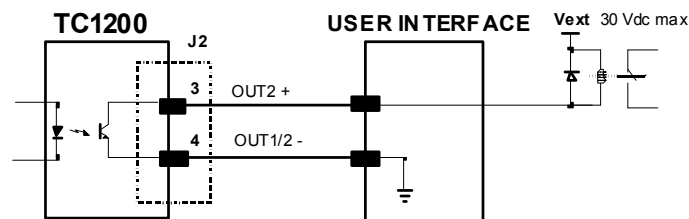


Figure 18 – Output2 Connection. Example NPN

## 2.3 POSITIONING

The TC1200 Scanner is able to decode barcode labels at a variety of angles, however significant angular distortion may degrade reading performance.

When mounting the TC1200 take into consideration these three ideal label position angles: **Pitch 0°**, **Skew 10° to 30°** and **Tilt 0°**. Follow the suggestions for the best orientation:

The **Pitch** angle is represented by the value **P** in the figure. Position the reader in order to **minimize** the **Pitch** angle.

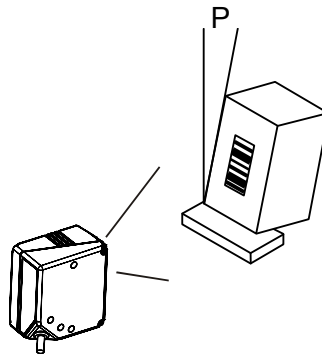


Figure 19 - Pitch Angle

The **Skew** angle is represented by the value **S** in the figure. Position the reader to **assure at least 10°** for the **Skew** angle. This avoids direct light reflection.

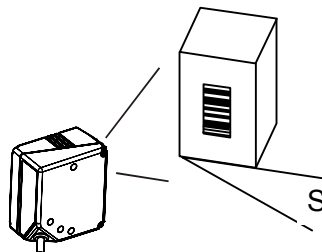


Figure 20 - Skew angle

The **Tilt** angle is represented by the value **T** in the figure. Position the reader in order to **minimize** the **Tilt** angle.

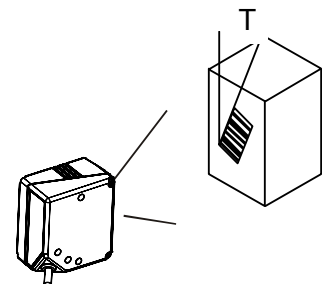


Figure 21 - Tilt angle

## 3 SOFTWARE CONFIGURATION STRINGS

### 3.1 TC1200 CONFIGURATION

TC1200 RS232 models (as well as USB models having the USB-COM Interface selected), can be configured using the serial strings contained in this chapter:

**To configure TC1200 RS232 models by using the configuration strings:**

- 1) Connect your TC1200 to a PC RS232 port according to the information in [chapter 2](#). Set the PC serial port to the TC1200 default RS232 communication parameters (see [Appendix A](#)).

**NOTE**

*To configure the reader using configuration strings, you must enter Service Mode which automatically sets the reader communication to 115200 baudrate. You must therefore set the host accordingly for RS232 communications. Upon exiting Service Mode, the programmed baud rate will be restored.*

- 2) Using a Terminal Emulation Program, send the Restore Current Interface (Custom) Default string to the reader using the syntax described on the next page.
- 3) Send all the necessary command strings according to your application's requirements.

**To configure TC1200 USB models (only for USB-COM Interface) by using the configuration strings:**

**NOTE**

*USB models by default have the USB-KBD Interface selected and are easily configured by reading the barcodes in chapter 4.*

- 1) Download and install the USB-COM driver from the TC1200 product page at [www.automation.datalogic.com](http://www.automation.datalogic.com).
- 2) Connect your TC1200 to a PC USB port according to the information in [chapter 2](#).
- 3) Change the interface to USB-COM by reading the barcode below.

**USB-COM**

- 4) Using a Terminal Emulation Program, send the Restore Current Interface (Custom) Default string to the reader using the syntax described on the next page.
- 5) Send all the necessary command strings according to your application's requirements.

## Command Syntax

1. Enter Service (Serial String Programming) Mode

**\$S<CR>**

*This command automatically sets the reader communication to 115200 baudrate.*

2. Send Command

\$	Command	Parameter	Value	<CR>
----	---------	-----------	-------	------

Where:

Command:	Description
<b>H</b> <b>XX</b>	Interface Selection
<b>AA</b>	Enable All Symbologies
<b>AD</b>	Disable All Symbologies
<b>R</b>	Reset Reader
<b>C</b> <b>XXXXXX</b>	Write Single Configuration Item to RAM
<b>Parameter:</b>	
<b>XXXX</b>	A 4-character ASCII string See Serial Configuration Strings Table
<b>Value:</b>	
<b>XX</b>	A 2-character Hex string See Serial Configuration Strings Table

3. Apply and Save Configuration to FLASH (permanent memory) and Exit Service Mode

**\$Ar<CR>**

*This command automatically returns to the programmed baudrate.*

**Example 1:**

1. **\$S<CR>**  
Enter Service Mode
2. **\$CLFCA02<CR>**  
Write command "Convert to Lower Case" to current configuration
3. **\$Ar<CR>**  
Apply and Save Configuration to FLASH (permanent memory) and Exit Service Mode.

Each configuration parameter setting removes the condition previously active for that parameter.

**Example 2:**

1. **\$S<CR>**  
Enter Service Mode
2. **\$HA05<CR>**  
Select RS232 Interface
3. **\$Ar<CR>**  
Apply and Save Configuration to FLASH (permanent memory) and Exit Service Mode.

**Example 3:**

1. **+\$!<CR>**  
Read Application Software Release

## SERIAL CONFIGURATION STRINGS

ENTER/EXIT CONFIGURATION COMMANDS	
Description	Command
Enter Service Mode (configuration) fixed 115200 Baud rate	<b>S</b>
Exit Service Mode (configuration) return to programmed Baud rate	<b>s</b>
Apply Configuration to RAM (temporary memory) and Exit Service Mode	<b>r01</b>
Apply and Save Configuration to FLASH (permanent memory) and Exit Service Mode	<b>Ar</b>

**NOTE**

*To configure the reader using configuration strings, you must enter Service Mode which automatically sets the reader communication to 115200 baudrate. You must therefore set the host accordingly for RS232 communications. Upon exiting Service Mode, the programmed baud rate will be restored.*

CONFIGURATION COMMANDS	
Description	Command
Write Single Configuration Item to RAM (temporary memory)	<b>Cxxxxxx</b>
Read Single Configuration Item from RAM (temporary memory)	<b>cxxxx</b>
Reset Reader	<b>R</b>
Read Application Software Release (does not require Enter/Exit Service Mode)	<b>+\$!\$!</b>
Host Commands Obey	<b>CIFIH00</b>
Host Commands Ignore	<b>CIFIH01</b>
Enable all Symbologies	<b>AA</b>
Disable all Symbologies	<b>AD</b>

**NOTE**

*To read a particular parameter setting from the reader, send the read parameter command without any value. The reader will respond with its currently configured value.*

**NOTE**

*The Read Application Software Release command is a direct command that does not require entering Service Mode.*

INTERFACE SELECTION COMMANDS	
Description	Command
Restore Current Interface (Custom) Default Configuration	<b>HA00</b>
RS232	<b>HA05</b>
USB-COM	<b>HA47</b>
USB-KBD	<b>HA35</b>
USB-KBD-ALT	<b>HA2B</b>
USB KBD-APPLE	<b>HA2C</b>

**NOTE**

*The Interface Selection commands store and load the new interface type with its factory defaults into the current configuration.*

RS232 ONLY PARAMETERS			
Description		Parameter	Value
Baud Rate	1200	R2BA	00
	2400		01
	4800		02
	9600		03
	19200		04
	38400		05
	57600		06
	115200		07
Parity	none	R2PA	00
	even		01
	odd		02
Data Bits	7	R2DA	00
	8		01
Stop Bits	1	R2ST	00
	2		01

RS232/USB-COM PARAMETERS			
Description		Parameter	Value
Intercharacter Delay	No delay or from 10 to 990 ms	R2IC	a
Disable Character	host command character which disables the reader	R2DC	b
Enable Character	host command character which enables the reader	R2EC	b
ACK/NAK Options	disable	R2AE	00
	enable for label transmission		01
	enable for host command acknowledge		02
	enable for label transmission and host command acknowledge		03
ACK Character	Selects character to be used as ACK	R2AC	c
NAK Character	Selects character to be used as NAK	R2NA	c
ACK/NAK Timeout Value	No timeout or from 200 to 15000 ms	R2AT	d
ACK/NAK Retry Count	From 0 to unlimited retries	R2AR	e
ACK/NAK Error Handling	Ignore errors detected	R2EH	00
	Process errors as valid ACK character		01
	Process errors as valid NAK character		02

**a** = Hex value from **00** to **63** representing the decimal number (*00 = no delay; all others x10 ms*)

**b** = Hex value from **00** to **FE** representing the ASCII character

**c** = Hex value from **00** to **FF** representing the ASCII character

**d** = Hex value from **00** to **4B** representing the decimal number (*00 = timeout disabled; all others x200 ms*)

**e** = Hex value from **00** to **FF** representing the number of retries (*00 = no retries; 01-FE = 1-254 retries; FF = unlimited retries*)

USB-KBD / USB-KBD-ALT / USB-KBD-APPLE PARAMETERS			
Description		Parameter	Value
Keyboard Country Mode	*US	KBCO	00
	*Belgium		01
	*Britain		02
	Croatia		11
	Czechoslovakia		0E
	Denmark		03
	*France		04
	*Germany		05
	Hungary		0D
	*Italy		06
	Japanese (106 key)		0C
	Norway		07
	Poland		12
	Portugal		08
	Romania		10
	Slovakia		0F
	*Spain		09
*Sweden	0A		
Switzerland	0B		
Keyboard Intercode Delay	No delay or from 1 to 99 seconds	KBID	f
Send Control Characters	CTRL + KEY	KBSC	00
	CTRL + SHIFT + KEY		01
	Special Function KEY		02
USB Keyboard Speed	1 ms	KBSP	01
	2 ms		02
	3 ms		03
	4 ms		04
	5 ms		05
	6 ms		06
	7 ms		07
	8 ms		08
	9 ms		09
	10 ms		0A

f = Hex value from 00 to 63 representing the decimal number (00 = no delay; all others x1 s)

\* = Valid for USB-KBD-APPLE

READING PARAMETERS PARAMETERS			
Description		Parameter	Value
Illumination Mode	Disabled	SPIL	00
	Triggered		01
	Enabled		02
Operating Modes	On Line	SNRM	00
	Serial On Line		01
	Automatic		02
	Automatic (Object Sense)		03
	Test		04
Automatic Threshold	From 2 to 255 scans without a code	SNAT	g
Phase Off Event	Trigger Stop	SNT0	00
	Timeout		01
	Trigger Stop-Timeout		02
Timeout	From 40 to 5100 ms	SNET	h
Serial Start	Any string of characters (max 20) between 00-FE	STON	i
Serial Stop	Any string of characters (max 20) between 00-FE	STOF	i
LED Indication	On Decode	BPIN	00
	After Transmission		01
Label Programming Mode	Disabled	FAPM	00
	Enabled		01

g = Hex value from 02 to FF representing the number of scans without a code

h = Hex value from 02 to FF representing the decimal number (x20 ms)

i = Hex value from 00 to FE representing the ASCII character

DATA FORMAT			
Description		Parameter	Value
Data Transmission	On Decode	LFTX	01
	After Phase Off		00
Code Verifier Mode	Disabled	LFCV	00
	Transmit Wrong String		01
	Transmit Wrong Code		02
Match String	Any string of characters ( <i>max 20</i> ) between 00-FE	COVS	<i>k</i>
Wrong Code String	Any string of characters ( <i>max 20</i> ) between 00-FE	WCVS	<i>k</i>
Case Conversion	Disable	LFCA	00
	Upper Case		01
	Lower Case		02
Global Prefix (Header)	Any string of characters ( <i>max 20</i> ) between 00-FE	LFPR	<i>k</i>
Global Suffix (Terminator)	Any string of characters ( <i>max 20</i> ) between 00-FE	LFSU	<i>k</i>
No Read String	Any string of characters ( <i>max 20</i> ) between 00-FE	NORS	<i>k</i>
Character Conversion	An 8-character string between 00-FF	LFCH	<i>m</i>
Transmit AIM IDs	Disable	AIEN	00
	Enable		01
Transmit Custom Label IDs	Disable	IDCO	00
	Prefix		01
	Suffix		02
GS1-128 AIM ID	Disable	U8AI	00
	Enable		01

*k* = Hex value from 00 to FE representing the ASCII character

*m* =8 Hex values from 00 to FF representing the 8 ASCII characters (FF = no replacement or ignore)

Custom Code Identifiers	Any string of characters ( <i>max 3</i> ) between 00-FE		
UPC-A		ABID	<i>k</i>
UPC-E		EBID	<i>k</i>
EAN-8		8BID	<i>k</i>
EAN-13		3BID	<i>k</i>
UPC-A/P2		A2ID	<i>k</i>
UPC-A/P5		A5ID	<i>k</i>
UPC-E/P2		E2ID	<i>k</i>
UPC-E/P5		E5ID	<i>k</i>
EAN-8/P2		82ID	<i>k</i>
EAN-8/P5		85ID	<i>k</i>
EAN-13/P2		32ID	<i>k</i>
EAN-13/P5		35ID	<i>k</i>
ISBN		ISID	<i>k</i>
ISSN		INID	<i>k</i>
GTIN for EAN/UPC w/o Add-On		GBID	<i>k</i>
GTIN for EAN/UPC w P2		G2ID	<i>k</i>
GTIN for EAN/UPC w P5		G5ID	<i>k</i>
Code 39		C3ID	<i>k</i>
Code 32		P3ID	<i>k</i>
Code 128		C8ID	<i>k</i>
GS1-128		U8ID	<i>k</i>
ISBT 128		I8ID	<i>k</i>
Interleaved 2 of 5		I2ID	<i>k</i>
Standard 2 of 5		S2ID	<i>k</i>
Codabar		CBID	<i>k</i>
ABC Codabar		ACID	<i>k</i>
Code 11		C1ID	<i>k</i>
GS1 Databar 14 (Omnidirectional)		4BID	<i>k</i>
GS1 Databar Expanded		XBID	<i>k</i>
GS1 Databar Limited		LBID	<i>k</i>
Code 93		C9ID	<i>k</i>
MSI		MSID	<i>k</i>

*k* = Hex value from 00 to FE representing the ASCII character

DIGITAL OUTPUTS			
Description		Parameter	Value
OUTPUT 1			
Activation Event	Disable	OUA1	00
	Good Read		01
	No Read		02
	Wrong Code		03
Deactivation Event	Disable	OUD1	00
	Timeout		01
	Reading Phase Active		02
Deactivation Timeout	100 to 25500 ms	OUT1	n
Active Level	Closed	OUL1	00
	Open		01
OUTPUT 2			
Activation Event	Disable	OUA2	00
	Good Read		01
	No Read		02
	Wrong Code		03
Deactivation Event	Disable	OUD2	00
	Timeout		01
	Reading Phase Active		02
Deactivation Timeout	100 to 25500 ms	OUT2	n
Active Level	Closed	OUL2	00
	Open		01

n = Hex value from 01 to FF representing the decimal number (x100 ms)

POWER SAVE			
Description		Parameter	Value
Sleep Mode Timeout	Disable	SLTO	00
	10 seconds		01
	30 seconds		02
	1 minute		03
	5 minutes		04
	10 minutes		05

CODE SELECTION			
Description		Parameter	Value
<b>UPC-A</b>			
UPC-A	Disable	ABEN	00
	Enable		01
Check Character Tx	Disable	ABCT	00
	Enable		01
Expand to EAN-13	Disable	AB3B	00
	Enable		01
Number System Tx	Disable	ABNS	00
	Enable		01
Minimum Reads	One Read	ABMR	01
	Two Reads		02
	Three Reads		03
	Four Reads		04
Coupon Control	Allow all coupon barcodes to be decoded	CPCL	00
	Enable only UPC-A coupon decoding		01
	Enable only GS1 Databar coupon decoding		02
<b>UPC-E</b>			
UPC-E	Disable	EBEN	00
	Enable		01
Check Character Tx	Disable	EBCT	00
	Enable		01
Expand to UPC-A	Disable	EBAB	00
	Enable		01
Expand to EAN-13	Disable	EB3B	00
	Enable		01
Number System Tx	Disable	EBNS	00
	Enable		01
Minimum Reads	One Read	EBMR	01
	Two Reads		02
	Three Reads		03
	Four Reads		04
<b>EAN-13</b>			
EAN-13	Disable	3BEN	00
	Enable		01
Check Character Tx	Disable	3BCT	00
	Enable		01
ISBN Conversion	Disable	3BIS	00
	Enable		01
ISSN Conversion	Disable	3BIN	00
	Enable		01
Flag 1 Character	Disable	3BF1	00
	Enable		01
Minimum Reads	One Read	3BMR	01
	Two Reads		02
	Three Reads		03
	Four Reads		04
Coupon Control	Allow all coupon barcodes to be decoded	CPCL	00
	Enable only UPC-A coupon decoding		01
	Enable only GS1 Databar coupon decoding		02
<b>EAN-8</b>			
EAN-8	Disable	8BEN	00
	Enable		01
Check Character Tx	Disable	8BCT	00
	Enable		01
Expand to EAN-13	Disable	8B3B	00
	Enable		01
Minimum Reads	One Read	8BMR	01
	Two Reads		02
	Three Reads		03
	Four Reads		04

CODE SELECTION			
Description		Parameter	Value
<b>Add-Ons</b>			
P2 Add-On	Disable	ADO2	00
	Enable		01
P5 Add-On	Disable	ADO5	00
	Enable		01
P2 Minimum Reads	One Read	ADM2	01
	Two Reads		02
	Three Reads		03
	Four Reads		04
P5 Minimum Reads	One Read	ADM5	01
	Two Reads		02
	Three Reads		03
	Four Reads		04
Optional Add-On Timer	Timer disabled or from 10 to 300 ms	ADOT	p
<b>EAN/UPC Global Settings</b>			
GTIN Format	Disable	GBEN	00
	Enable		01
Decoding Level	Disable	UNDL	00
	Level 1		01
	Level 2		02
	Level 3		03
	Level 4		04
	Level 5		05
Character Correlation	Disable	UNCO	00
	Enable		01
In-Store Minimum Reads	One Read	INMR	01
	Two Reads		02
	Three Reads		03
	Four Reads		04

p = Hex value from 00 to 1E representing the decimal number (00 = Timer disabled; all others x10 ms)

CODE SELECTION			
Description		Parameter	Value
<b>Code 39</b>			
Code 39	Disable	<b>C3EN</b>	<b>00</b>
	Enable		<b>01</b>
Code 39 Full ASCII	Disable	<b>C3FA</b>	<b>00</b>
	Enable		<b>01</b>
Code Length Control	Variable	<b>C3LC</b>	<b>00</b>
	Fixed		<b>01</b>
Set Length	Length 1 (or Min Length) from 1 to 50 characters	<b>C3L1</b>	<b>q</b>
	Length 2 (or Max Length) 0 or from 1 to 50 characters	<b>C3L2</b>	<b>q</b>
Code 32 (Italian Pharma)	Disable	<b>P3EN</b>	<b>00</b>
	Enable		<b>01</b>
Code 32 Check Tx	Disable	<b>P3CT</b>	<b>00</b>
	Enable		<b>01</b>
Code 32 Start/Stop Tx	Disable	<b>P3SS</b>	<b>00</b>
	Enable		<b>01</b>
<b>Check Options</b>			
Check Calculation	Disable	<b>C3CC</b>	<b>00</b>
	Enable Standard Check		<b>01</b>
	Enable Mod-7 Check		<b>02</b>
	Enable Italian Post Check		<b>04</b>
	Enable Daimler Chrysler Check		<b>08</b>
Code 39 Check Tx	Disable	<b>C3CT</b>	<b>00</b>
	Enable		<b>01</b>
Code 39 Start/Stop Tx	Disable	<b>C3SS</b>	<b>00</b>
	Enable		<b>01</b>
<b>Decoding Options</b>			
Minimum Reads	One Read	<b>C3MR</b>	<b>01</b>
	Two Reads		<b>02</b>
	Three Reads		<b>03</b>
	Four Reads		<b>04</b>
Decoding Level	Disable	<b>C3DL</b>	<b>00</b>
	Level 1		<b>01</b>
	Level 2		<b>02</b>
	Level 3		<b>03</b>
	Level 4		<b>04</b>
	Level 5		<b>05</b>
Interdigit Ratio	Any ratio or 1 to 10	<b>C3IR</b>	<b>r</b>
Character Correlation	Disable	<b>C3CO</b>	<b>00</b>
	Enable		<b>01</b>
Quiet Zones	Quiet Zone on One Side	<b>C3LO</b>	<b>01</b>
	Quiet Zones on Two Sides		<b>02</b>
	Auto		<b>03</b>
	Virtual Quiet Zones on Two Sides		<b>04</b>
	Small Quiet Zones on Two Sides		<b>05</b>
Stitching	Disable	<b>C3ST</b>	<b>00</b>
	Enable		<b>01</b>

**q** = Hex value from **00** to **32** representing the decimal number

**r** = Hex value from **00** to **0A** representing the decimal number of the interdigit space/module ratio (00 = any ratio)

CODE SELECTION			
Description		Parameter	Value
<b>Code 128 (GS1-128)</b>			
Code 128	Disable	C8EN	00
	Enable		01
GS1-128 Enable	Enable (transmit labels in Code 128 data format)	U8EN	00
	Enable (transmit labels in GS1-128 data format)		01
	Disable		02
Code Length Control	Variable	C8LC	00
	Fixed		01
Set Length	Length 1 (or Min Length) from 1 to 80 characters	C8L1	s
	Length 2 (or Max Length) 0 or from 1 to 80 characters	C8L2	s
Expand to Code 39	Disable	C8C3	00
	Enable		01
<b>Check Options</b>			
Check Tx	Disable	C8CT	00
	Enable		01
Function Character Tx	Disable	C8TF	00
	Enable		01
Sub-Code Change Tx	Disable	C8SC	00
	Enable		01
<b>Decoding Options</b>			
Minimum Reads	One Read	C8MR	01
	Two Reads		02
	Three Reads		03
	Four Reads		04
Decoding Level	Disable	C8DL	00
	Level 1		01
	Level 2		02
	Level 3		03
	Level 4		04
Character Correlation	Disable	C8CO	00
	Enable		01
Quiet Zones	No Quiet Zones	C8LO	00
	Quiet Zone on One Side		01
	Quiet Zones on Two Sides		02
	Auto		03
	Virtual Quiet Zones on Two Sides		04
Stitching	Disable	C8ST	00
	Enable		01
<b>ISBT 128</b>			
ISBT 128 Concatenation	Disable	I8CE	00
	Enable		01
Concatenation Mode	Static	I8CM	00
	Dynamic		01
Dynamic Concat. Timeout	From 50 to 2550 ms	I8DT	t
Chain 0 - Chain 15	Contact Datalogic		

s = Hex value from 00 to 50 representing the decimal number

t = Hex value from 05 to FF representing the decimal number (x10 ms)

CODE SELECTION			
Description		Parameter	Value
<b>Interleaved 2 of 5 (I 2 of 5)</b>			
I 2 of 5	Disable	<b>I2EN</b>	<b>00</b>
	Enable		<b>01</b>
Code Length Control	Variable	<b>I2LC</b>	<b>00</b>
	Fixed		<b>01</b>
Set Length	Length 1 (or Min Length) from 2 to 50 characters (only even numbers)	<b>I2L1</b>	<b>v</b>
	Length 2 (or Max Length) from 0 or from 2 to 50 characters (only even numbers)	<b>I2L2</b>	<b>v</b>
<b>Check Options</b>			
Check Calculation	Disable	<b>I2CC</b>	<b>00</b>
	Enable Standard(Mod 10)		<b>01</b>
	Enable German Parcel		<b>02</b>
	Enable DHL		<b>04</b>
	Enable Daimler Chrysler		<b>08</b>
	Enable Bosch		<b>10</b>
Check Tx	Disable	<b>I2CT</b>	<b>00</b>
	Enable		<b>01</b>
<b>Decoding Options</b>			
Minimum Reads	One Read	<b>I2MR</b>	<b>01</b>
	Two Reads		<b>02</b>
	Three Reads		<b>03</b>
	Four Reads		<b>04</b>
Decoding Level	Disable	<b>I2DL</b>	<b>00</b>
	Level 1		<b>01</b>
	Level 2		<b>02</b>
	Level 3		<b>03</b>
	Level 4		<b>04</b>
	Level 5		<b>05</b>
Character Correlation	Disable	<b>I2CO</b>	<b>00</b>
	Enable		<b>01</b>
Stitching	Disable	<b>I2ST</b>	<b>00</b>
	Enable		<b>01</b>
Zero Pattern	Disable	<b>I2ZP</b>	<b>00</b>
	Enable		<b>01</b>

v = Hex value from **00** or **02** to **32** representing the decimal number

<b>Standard 2 of 5</b>			
Standard 2 of 5	Disable	<b>S2EN</b>	<b>00</b>
	Enable		<b>01</b>
Code Length Control	Variable	<b>S2LC</b>	<b>00</b>
	Fixed		<b>01</b>
Set Length	Length 1 (or Min Length) from 1 to 50 characters	<b>S2L1</b>	<b>v</b>
	Length 2 (or Max Length) 0 or from 1 to 50 characters	<b>S2L2</b>	<b>v</b>
<b>Check Options</b>			
Check Calculation	Disable	<b>S2CC</b>	<b>00</b>
	Enable		<b>01</b>
Check Tx	Disable	<b>S2CT</b>	<b>00</b>
	Enable		<b>01</b>
<b>Decoding Options</b>			
Minimum Reads	One Read	<b>S2MR</b>	<b>01</b>
	Two Reads		<b>02</b>
	Three Reads		<b>03</b>
	Four Reads		<b>04</b>
Decoding Level	Disable	<b>S2DL</b>	<b>00</b>
	Level 1		<b>01</b>
	Level 2		<b>02</b>
	Level 3		<b>03</b>
	Level 4		<b>04</b>
	Level 5		<b>05</b>
Character Correlation	Disable	<b>S2CO</b>	<b>00</b>
	Enable		<b>01</b>
Stitching	Disable	<b>S2ST</b>	<b>00</b>
	Enable		<b>01</b>

v = Hex value from **00** to **32** representing the decimal number

CODE SELECTION			
Description		Parameter	Value
<b>Codabar</b>			
Codabar	Disable	CBEN	00
	Enable		01
Code Length Control	Variable	CBLC	00
	Fixed		01
Set Length	Length 1 (or Min Length) from 3 to 50 characters	CBL1	v
	Length 2 (or Max Length) 0 or from 3 to 50 characters	CBL2	v
<b>ABC Codabar</b>			
ABC Codabar	Disable	CBAB	00
	Enable		01
Concatenation Mode	Static	CBCM	00
	Dynamic		01
Dynamic Concat. Timeout	From 50 to 2550 ms	CBDT	f
<b>Check Options</b>			
Check Calculation	Disable	CBCC	00
	Enable AIM Standard Check		01
	Enable Mod-10 Check		02
Check Tx	Disable	CBCT	00
	Enable		01
Start/Stop Set	ABCD/TN*E	CBSC	00
	ABCD/ABCD		01
	abcd/tn*e		02
	abcd/abcd		03
Start/Stop Tx	Disable	CBSS	00
	Enable		01
Start/Stop Match	Disable	CBSM	00
	Enable		01
<b>Decoding Options</b>			
Minimum Reads	One Read	CBMR	01
	Two Reads		02
	Three Reads		03
	Four Reads		04
Decoding Level	Disable	CBDL	00
	Level 1		01
	Level 2		02
	Level 3		03
	Level 4		04
	Level 5		05
Character Correlation	Disable	CBCO	00
	Enable		01
Interdigit Ratio	Any ratio or 1 to 10	CBIR	r
Quiet Zones	Quiet Zone on One Side	CBLO	01
	Quiet Zones on Two Sides		02
	Auto		03
	Virtual Quiet Zones on Two Sides		04
	Small Quiet Zones on Two Sides		05
Stitching	Disable	CBST	00
	Enable		01

v = Hex value from 00 or 03 to 32 representing the decimal number

f = Hex value from 05 to FF representing the decimal number ( $\times 10$  ms)

r = Hex value from 00 to 0A representing the decimal number of the interdigit space/module ratio (00 = any ratio)

CODE SELECTION			
Description		Parameter	Value
<b>Code 11</b>			
Code 11	Disable	C1EN	00
	Enable		01
Code Length Control	Variable	C1LC	00
	Fixed		01
Set Length	Length 1 (or Min Length) from 2 to 50 characters	C1L1	v
	Length 2 (or Max Length) 0 or from 2 to 50 characters	C1L2	v
<b>Check Options</b>			
Check Calculation	Disable	C1CC	00
	Enable Check C		01
	Enable Check K		02
	Enable Check C and K		03
Check Tx	Disable	C1CT	00
	Enable		01
<b>Decoding Options</b>			
Minimum Reads	One Read	C1MR	01
	Two Reads		02
	Three Reads		03
	Four Reads		04
Decoding Level	Disable	C1DL	00
	Level 1		01
	Level 2		02
	Level 3		03
	Level 4		04
	Level 5		05
Character Correlation	Disable	C1CO	00
	Enable		01
Interdigit Ratio	1 to 10	C1IR	r
Stitching	Disable	C1ST	00
	Enable		01

v = Hex value from 00 to 32 representing the decimal number

r = Hex value from 00 to 0A representing the decimal number of the interdigit space/module ratio (00 = any ratio)

<b>GS1 Databar Omnidirectional</b>			
GS1 Databar Omnidirectional	Disable	4BEN	00
	Enable		01
GS1-128 Emulation	Disable	4BU8	00
	Enable		01
<b>Omnidirectional Decoding Options</b>			
Minimum Reads	One Read	4BMR	01
	Two Reads		02
	Three Reads		03
	Four Reads		04
<b>GS1 Databar Expanded</b>			
GS1 Databar Expanded	Disable	XBEN	00
	Enable		01
GS1-128 Emulation	Disable	XBU8	00
	Enable		01
Code Length Control	Variable	XBLC	00
	Fixed		01
Set Length	Length 1 (or Min Length) from 1 to 74 characters	XBL1	w
	Length 2 (or Max Length) 0 or from 1 to 74 characters	XBL2	w
<b>Expanded Decoding Options</b>			
Minimum Reads	One Read	XBMR	01
	Two Reads		02
	Three Reads		03
	Four Reads		04
Coupon Control	Allow all coupon barcodes to be decoded	CPCL	00
	Enable only UPC-A coupon decoding		01
	Enable only GS1 Databar coupon decoding		02
<b>GS1 Databar Limited</b>			
GS1 Databar Limited	Disable	LBEN	00
	Enable		01
GS1-128 Emulation	Disable	LBU8	00
	Enable		01

w = Hex value from 00 to 4A representing the decimal number

CODE SELECTION			
Description		Parameter	Value
<b>GS1 Databar Limited (continued)</b>			
<b>Limited Decoding Options</b>			
Minimum Reads	One Read	LBMR	01
	Two Reads		02
	Three Reads		03
	Four Reads		04
<b>Code 93</b>			
Code 93	Disable	C9EN	00
	Enable		01
Code Length Control	Variable	C9LC	00
	Fixed		01
Set Length	Length 1 (or Min Length) from 1 to 50 characters	C9L1	v
	Length 2 (or Max Length) 0 or from 1 to 50 characters	C9L2	v
<b>Check Options</b>			
Check Calculation	Disable	C9CC	00
	Enable Check C		01
	Enable Check K		02
	Enable Check C and K		03
Check Tx	Disable	C9CT	00
	Enable		01
<b>Decoding Options</b>			
Minimum Reads	One Read	C9MR	01
	Two Reads		02
	Three Reads		03
	Four Reads		04
Decoding Level	Disable	C9DL	00
	Level 1		01
	Level 2		02
	Level 3		03
	Level 4		04
	Level 5		05
Character Correlation	Disable	C9CO	00
	Enable		01
Quiet Zones	No Quiet Zones	C9LO	00
	Quiet Zone on One Side		01
	Quiet Zones on Two Sides		02
	Auto		03
	Virtual Quiet Zones on Two Sides		04
Stitching	Disable	C9ST	00
	Enable		01

v = Hex value from 00 to 32 representing the decimal number

CODE SELECTION			
Description		Parameter	Value
<b>MSI</b>			
MSI	Disable	MSEN	00
	Enable		01
Code Length Control	Variable	MSLC	00
	Fixed		01
Set Length	Length 1 (or Min Length) from 1 to 50 characters	MSL1	v
	Length 2 (or Max Length) 0 or from 1 to 50 characters	MSL2	v
<b>Check Options</b>			
Check Calculation	Disable	MSCC	00
	Enable Mod 10		01
	Enable Mod 11/10		02
	Enable Mod 10/10		03
Check Tx	Disable	MSCT	00
	Enable		01
<b>Decoding Options</b>			
Minimum Reads	One Read	MSMR	01
	Two Reads		02
	Three Reads		03
	Four Reads		04
Decoding Level	Disable	MSDL	00
	Level 1		01
	Level 2		02
	Level 3		03
	Level 4		04
	Level 5		05
Stitching	Disable	MSST	00
	Enable		01

v = Hex value from 00 to 32 representing the decimal number

## 4 BARCODE CONFIGURATION



**CAUTION**

*The Barcode Configuration is suggested when using USB-KBD interfaces.*

### 4.1 INITIAL SETUP

The following procedure allows preparing your TC1200 to read barcodes by using the default settings.

#### RESTORE DEFAULT

1. Read the restore factory default parameters code below.

**Restore TC1200 Current Interface (Custom) Default**



#### INTERFACE SELECTION

2. Read the interface selection code for your application.

Only RS232 Models

**RS232**



Only USB Models

**USB-COM**



◆ **USB-KBD**



**USB-KBD-ALT**



**USB-KBD-APPLE**



**YOUR READER IS NOW READY TO READ BARCODES.**

To change the default settings see par. 4.2.

## 4.2 CHANGING DEFAULT SETTINGS

Once your reader is setup, you can change the default parameters to meet your application needs. Refer to the preceding paragraph for initial configuration in order to set the default values and select the interface for your application.

In this manual, the configuration parameters are divided into logical groups making it easy to find the desired function based on its reference group.

The first three groups are for Standard Interface parameter configuration:

- **RS232**
- **RS232/USB-COM**
- **USB-KBD**

The following parameter groups are common to all interface applications:

**READING PARAMETERS** control various operating modes and indicator status functioning.

**DATA FORMAT** parameters regard the messages sent to the Host system for all interfaces.

**DIGITAL OUTPUTS** manage the events controlling the two digital outputs.

**POWER SAVE** manages overall current consumption in the reading device.

**CODE SELECTION** parameters allow configuration of a personalized mix of codes, code families and their options.



---

***GLOBAL INTERFACE FEATURES***

**◆ Obey Host Commands**



**Ignore Host Commands**



# RS232

⊙	<i>BAUD RATE</i>	⊙
⊙	<i>PARITY</i>	⊙
⊙	<i>DATA BITS</i>	⊙
⊙	<i>STOP BITS</i>	⊙

1. Read the **Enter/Exit Configuration** code ONCE, available at the top of each page.
2. Read configuration codes from the desired groups.



= Read the code and follow the procedure on the indicated reference page

◆ = Default value

3. Read the **Enter/Exit Configuration** code ONCE, available at the top of each page.



---

**BAUD RATE**

**1200 baud**



**2400 baud**



**4800 baud**



**◆ 9600 baud**



**19200 baud**



**38400 baud**



**57600 baud**



**115200 baud**



---

**PARITY**

**◆ none**



**even**



**odd**





# RS232

---

## DATA BITS

7 bits



8 bits



---

## STOP BITS

◆ 1 stop bit



2 stop bits



# RS232/USB-COM

⊙	<i>INTERCHARACTER DELAY</i>	⊙
⊙	<i>DISABLE CHARACTER</i>	⊙
⊙	<i>ENABLE CHARACTER</i>	⊙
⊙	<i>ACK/NAK OPTIONS</i>	⊙
⊙	<i>ACK CHARACTER</i>	⊙
⊙	<i>NAK CHARACTER</i>	⊙
⊙	<i>ACK/NAK TIMEOUT</i>	⊙
⊙	<i>ACK/NAK RETRY COUNT</i>	⊙
⊙	<i>ACK/NAK ERROR HANDLING</i>	⊙

1. Read the **Enter/Exit Configuration** code ONCE, available at the top of each page.
2. Read configuration codes from the desired groups.



= Read the code and follow the procedure on the indicated reference page

◆ = Default value

3. Read the Enter/**Exit Configuration** code ONCE, available at the top of each page.



**INTERCHARACTER DELAY**

◆ No Delay



See page 118

Select Intercharacter Delay



**DISABLE CHARACTER**

Select Device Disable Character



See page 118

**ENABLE CHARACTER**

Select Device Enable Character



See page 119

**ACK/NAK OPTIONS**

◆ Disable



Enable For Label Transmission



Enable For Host Command  
Acknowledge



Enable For Label Transmission  
And Host Command  
Acknowledge



**ACK CHARACTER**

Select ACK Character



See page 120



---

**NAK CHARACTER**

Select NAK Character



See page 120

---

**ACK/NAK TIMEOUT**

◆ No Timeout



See page 121

Select ACK/NAK Timeout Value



---

**ACK/NAK RETRY COUNT**

Select Retry Count



See page 121

---

**ACK/NAK ERROR HANDLING**

Ignore Errors Detected



Process Errors As Valid ACK  
Character



Process Errors As Valid NAK  
Character



# USB-KBD

⊙	<i>KEYBOARD COUNTRY</i>	⊙
⊙	<i>CAPS LOCK</i>	⊙
⊙	<i>NUM LOCK</i>	⊙
⊙	<i>INTER-CHARACTER DELAY</i>	⊙
⊙	<i>INTER-CODE DELAY</i>	⊙
⊙	<i>KEYBOARD SETTING</i>	⊙
⊙	<i>CONTROL CHARACTER EMULATION</i>	⊙

**1.** Read the **Enter/Exit Configuration** code ONCE, available at the top of each page.

**2.** Read configuration codes from the desired groups.



= Read the code and follow the procedure on the indicated reference page

◆ = Default value

**3.** Read the **Enter/Exit Configuration** code ONCE, available at the top of each page.



---

**KEYBOARD COUNTRY**

◆ US



Belgium



Britain



Croatia



Czech Republic



Denmark



France



Germany



Hungary



Italy



Japanese (106 key)



Norway





---

**KEYBOARD COUNTRY (CONTINUED)**

**Poland**



**Portugal**



**Romania**



**Slovakia**



**Spain**



**Sweden**



**Switzerland**



---

**KEYBOARD INTERCODE DELAY**

**◆ No Delay**



See page 122

**Select Intercode Delay**





---

**SEND CONTROL CHARACTERS**

◆ CTRL + Key



CTRL + SHIFT + Key



Special Function Key



---

**USB KEYBOARD SPEED**

◆ 1 ms



2 ms



3 ms



4 ms



5 ms



6 ms



7 ms



8 ms





---

***USB KEYBOARD SPEED (CONTINUED)***

**9 ms**



**10 ms**



# READING PARAMETERS

⊙	<i>ILLUMINATION MODE</i>	⊙
⊙	<i>OPERATING MODE</i>	⊙
⊙	<i>AUTOMATIC THRESHOLD</i>	⊙
⊙	<i>PHASE OFF EVENT</i>	⊙
⊙	<i>TIMEOUT</i>	⊙
⊙	<i>SERIAL START</i>	⊙
⊙	<i>SERIAL STOP</i>	⊙
⊙	<i>LED INDICATION</i>	⊙
⊙	<i>LABEL PROGRAMMING MODE</i>	⊙

1. Read the **Enter/Exit Configuration** code ONCE, available at the top of each page.
2. Read configuration codes from the desired groups.



= Read the code and follow the procedure on the indicated reference page

◆ = Default value

3. Read the **Enter/Exit Configuration** code ONCE, available at the top of each page.



## READING PARAMETERS

---

### *ILLUMINATION MODE*

**Disabled**



◆ **Triggered**



**Enabled**



---

### *OPERATING MODE*

◆ **On Line**



**Serial On Line**



**Automatic**



**Automatic (Object Sense)**



**Test**



---

### *AUTOMATIC THRESHOLD*

**Select Automatic Threshold**



See page 123



---

**PHASE OFF EVENT**

◆ Trigger Stop



Timeout



Trigger Stop - Timeout



---

**TIMEOUT**

Select Timeout



See page 124

---

**SERIAL START**

Select Serial Start Characters



See page 125

---

**SERIAL STOP**

Select Serial Stop Characters



See page 125

---

**LED INDICATION**

◆ On Decode



After Transmission





## READING PARAMETERS

---

### *LABEL PROGRAMMING MODE*

**Disabled**



**◆ Enabled**



# DATA FORMAT

⊙	<i>DATA TRANSMISSION</i>	⊙
⊙	<i>CODE VERIFIER MODE</i>	⊙
⊙	<i>MATCH STRING</i>	⊙
⊙	<i>WRONG CODE STRING</i>	⊙
⊙	<i>CASE CONVERSION</i>	⊙
⊙	<i>GLOBAL PREFIX</i>	⊙
⊙	<i>GLOBAL SUFFIX</i>	⊙
⊙	<i>NO READ STRING</i>	⊙
⊙	<i>TRANSMIT AIM IDS</i>	⊙
⊙	<i>TRANSMIT CUSTOM LABEL IDS</i>	⊙
⊙	<i>CUSTOM LABEL IDS</i>	⊙

**1.** Read the **Enter/Exit Configuration** code ONCE, available at the top of each page.

**2.** Read configuration codes from the desired groups.



= Read the code and follow the procedure on the indicated reference page

◆ = Default value

**3.** Read the **Enter/Exit Configuration** code ONCE, available at the top of each page.



## DATA FORMAT

---

### *DATA TRANSMISSION*

◆ On Decode



After Phase Off



---

### *CODE VERIFIER MODE*

◆ Disabled



Transmit Wrong String



Transmit Wrong Code



---

### *MATCH STRING*

Select Match String



See page 133

---

### *WRONG CODE STRING*

Select Wrong Code String



See page 133



---

**CASE CONVERSION**

◆ **Disable (no case conversion)**



**Convert To Upper Case**



**Convert To Lower Case**



---

**GLOBAL PREFIX**

**Select Global Prefix (Header)**



See page 128

---

**GLOBAL SUFFIX**

**Select Global Suffix (Terminator)**



See page 128

---

**NO READ STRING**

**Select No Read String**



See page 129



# DATA FORMAT

## TRANSMIT AIM IDS

◆ Disable



Enable



## TRANSMIT CUSTOM LABEL IDS

◆ Disabled



Prefix



Suffix



## CUSTOM LABEL IDENTIFIERS

Set UPC-A Label ID(s)



See page 131

Set UPC-E Label ID(s)



See page 131

Set EAN-8 Label ID(s)



See page 131

Set EAN-13 Label ID(s)



See page 131



---

**CUSTOM LABEL IDENTIFIERS (CONTINUED)**

**Set UPC-A/P2 Label ID(s)**



See page 131

**Set UPC-A/P5 Label ID(s)**



See page 131

**Set UPC-E/P2 Label ID(s)**



See page 131

**Set UPC-E/P5 Label ID(s)**



See page 131

**Set EAN-8/P2 Label ID(s)**



See page 131

**Set EAN-8/P5 Label ID(s)**



See page 131

**Set EAN-13/P2 Label ID(s)**



See page 131

**Set EAN-13/P5 Label ID(s)**



See page 131

**Set ISBN Label ID(s)**



See page 131

**Set ISSN Label ID(s)**



See page 131



**CUSTOM LABEL IDENTIFIERS (CONTINUED)**

**Set GTIN Label ID(s) for EAN/UPC without Add-Ons**



See page 131

**Set GTIN Label ID(s) for EAN/UPC with P2**



**Set GTIN Label ID(s) for EAN/UPC with P5**



See page 131



See page 131

**Set Code 39 Label ID(s)**



**Set Code 32 Label ID(s)**



See page 131



See page 131

**Set Code 128 Label ID(s)**



**Set GS1-128 Label ID(s)**



See page 131



See page 131

**Set ISBT 128 Label ID(s)**



**Set Interleaved 2 of 5 Label ID(s)**



See page 131



See page 131

**Set Standard 2 of 5 Label ID(s)**



**Set Codabar Label ID(s)**



See page 131



See page 131

**Set ABC Codabar Label ID(s)**



See page 131

---

***CUSTOM CODE IDENTIFIERS (CONTINUED)***

**Set Code 11 Label ID(s)**



See page 131

**Set Label ID(s) for GS1 Databar 14 (Omnidirectional)**



**Set Label ID(s) for GS1 Databar Expanded**



See page 131



See page 131

**Set Label ID(s) for GS1 Databar Limited**



**Set Code 93 Label ID(s)**



See page 131



See page 131

**Set MSI Label ID(s)**



See page 131

# DIGITAL OUTPUTS

⊙	<i>OUTPUT 1 ACTIVATION EVENT</i>	⊙
⊙	<i>OUTPUT 1 DEACTIVATION EVENT</i>	⊙
⊙	<i>OUTPUT 1 DEACTIVATION TIMEOUT</i>	⊙
⊙	<i>OUTPUT 1 ACTIVE LEVEL</i>	⊙
⊙	<i>OUTPUT 2 ACTIVATION EVENT</i>	⊙
⊙	<i>OUTPUT 2 DEACTIVATION EVENT</i>	⊙
⊙	<i>OUTPUT 2 DEACTIVATION TIMEOUT</i>	⊙
⊙	<i>OUTPUT 2 ACTIVE LEVEL</i>	⊙

1. Read the **Enter/Exit Configuration** code ONCE, available at the top of each page.
2. Read configuration codes from the desired groups.



= Read the code and follow the procedure on the indicated reference page

◆ = Default value

3. Read the **Enter/Exit Configuration** code ONCE, available at the top of each page.



---

**OUTPUT 1 ACTIVATION EVENT**

**Disable**



**Good Read**



**No Read**



**Wrong Code**



---

**OUTPUT 1 DEACTIVATION EVENT**

**Disable**



**Timeout**



**Reading Phase Active**



---

**OUTPUT 1 DEACTIVATION TIMEOUT**

**Set Deactivation Timeout**



See page 134

---

**OUTPUT 1 ACTIVATION EVENT**

**Closed**



**Open**





## DIGITAL OUTPUTS

---

### *OUTPUT 2 ACTIVATION EVENT*

**Disable**



**Good Read**



**No Read**



**Wrong Code**



---

### *OUTPUT 2 DEACTIVATION EVENT*

**Disable**



**Timeout**



**Reading Phase Active**



---

### *OUTPUT 2 DEACTIVATION TIMEOUT*

**Set Deactivation Timeout**



See page 134

---

### *OUTPUT 2 ACTIVATION EVENT*

**Closed**



**Open**



# POWER SAVE



## *SLEEP MODE TIMEOUT*



1. Read the **Enter/Exit Configuration** code ONCE, available at the top of each page.
2. Read configuration codes from the desired groups.



= Read the code and follow the procedure on the indicated reference page

◆ = Default value

3. Read the Enter/**Exit Configuration** code ONCE, available at the top of each page.



# POWER SAVE

---

## *SLEEP MODE TIMEOUT*

**Disable**



**10 Seconds**



**30 Seconds**



**1 Minute**



**5 Minutes**



**10 Minutes**



# CODE SELECTION

⊙	<i>EAN/UPC</i>	⊙
⊙	<i>CODE 39 (CODE 32)</i>	⊙
⊙	<i>CODE 128 (GS1-128, ISBT 128)</i>	⊙
⊙	<i>INTERLEAVED 2 OF 5</i>	⊙
⊙	<i>STANDARD 2 OF 5</i>	⊙
⊙	<i>CODABAR (ABC CODABAR)</i>	⊙
⊙	<i>CODE 11</i>	⊙
⊙	<i>GS1 DATABAR (OMNIDIRECTIONAL, EXPANDED, LIMITED)</i>	⊙
⊙	<i>CODE 93</i>	⊙
⊙	<i>MSI</i>	⊙

1. Read the **Enter/Exit Configuration** code ONCE, available at the top of each page.
2. Read configuration codes from the desired groups.



= Read the code and follow the procedure on the indicated reference page

◆ = Default value

3. Read the **Enter/Exit Configuration** code ONCE, available at the top of each page.

## DISABLE ALL CODE SYMBOLOGIES

Use this feature to disable all symbologies.

1. Scan the ENTER/EXIT PROGRAMMING barcode below.
2. Scan the Disable All Symbologies barcode.
3. Complete the programming sequence by scanning the ENTER/EXIT PROGRAMMING barcode.



### Disable All Code Symbologies





# CODE SELECTION

---

## *UPC-A*

**Disable**



**Enable**



## *CHECK CHARACTER TX*

**Disable**



**Enable**



## *EXPAND TO EAN-13*

**Disable**



**Enable**



## *NUMBER SYSTEM TX*

**Disable**



**Enable**





---

**UPC-A MINIMUM READS**

**One Read**



**Two Reads**



**Three Reads**



**Four Reads**



---

**COUPON CONTROL**

**Allow All Coupon Barcodes to be Decoded**



**Enable Only UPC-A Coupon Decoding**



**Enable Only GS1 Databar Coupon Decoding**





CODE SELECTION

---

*UPC-E*

Disable



Enable



---

*CHECK CHARACTER TX*

Disable



Enable



---

*EXPAND TO UPC-A*

Disable



Enable



---

*EXPAND TO EAN-13*

Disable



Enable



**CODE SELECTION**

Enter/Exit Configuration



---

***NUMBER SYSTEM TX***

**Disable**



**Enable**



---

***UPC-E MINIMUM READS***

**One Read**



**Two Reads**



**Three Reads**



**Four Reads**





CODE SELECTION

---

*EAN-13*

Disable



Enable



---

*CHECK CHARACTER TX*

Disable



Enable



---

*ISBN CONVERSION*

Disable



Enable



---

*ISSN CONVERSION*

Disable



Enable





---

**FLAG 1 CHARACTER**

**Disable**



**Enable**



---

**EAN-13 MINIMUM READS**

**One Read**



**Two Reads**



**Three Reads**



**Four Reads**



---

**COUPON CONTROL**

**Allow All Coupon Barcodes to be Decoded**



**Enable Only UPC-A Coupon Decoding**



**Enable Only GS1 Databar Coupon Decoding**





CODE SELECTION

---

*EAN-8*

Disable



Enable



---

*CHECK CHARACTER TX*

Disable



Enable



---

*EXPAND TO EAN-13*

Disable



Enable



---

*EAN-8 MINIMUM READS*

One Read



Two Reads



Three Reads



Four Reads





---

***ENABLE OPTIONAL P2 ADD-ON***

**Disable**



**Enable**



---

***ENABLE OPTIONAL P5 ADD-ON***

**Disable**



**Enable**



---

***P2 MINIMUM READS***

**One Read**



**Two Reads**



**Three Reads**



**Four Reads**





## CODE SELECTION

---

### *P5 MINIMUM READS*

**One Read**



**Two Reads**



**Three Reads**



**Four Reads**



---

### *OPTIONAL ADD-ON TIMER*

**Add-On Timer Disable**



See page 135

**Set Add-On Timer Value**





---

**GTIN FORMAT**

**Disable**



**Enable**



---

**DECODING LEVEL**

**Disable**



**Level 1**



**Level 2**



**Level 3**



**Level 4**



**Level 5**



---

**CHARACTER CORRELATION**

**Disable**



**Enable**





## CODE SELECTION

---

### *IN-STORE MINIMUM READS*

**One Read**



**Two Reads**



**Three Reads**



**Four Reads**



---

### *CODE 39*

**Disable**



**Enable**



---

### *CODE 39 FULL ASCII*

**Disable**



**Enable**



---

### *CODE LENGTH CONTROL*

**Variable**



**Fixed**



**CODE SELECTION**



---

**SET LENGTH**

**Set Length 1  
(or Minimum Length)**



See page 138



See page 139

**Set Length 2  
(or Maximum Length)**



---

**CODE 39 CHECK TX**

**Disable**



**Enable**



---

**CODE 39 START/STOP TX**

**Disable**



**Enable**





CODE SELECTION

---

**CODE 32 (ITALIAN PHARMACEUTICAL)**

**Disable**



**Enable**



---

**CODE 32 CHECK TX**

**Disable**



**Enable**



---

**CODE 32 START/STOP TX**

**Disable**



**Enable**





Code 39 Check Options

---

*CHECK CALCULATION*

Disable



Enable Standard Check



Enable Mod-7 Check



Enable Italian Post Check



Enable Daimler Chrysler Check



Code 39 Decoding Options

---

*MINIMUM READS*

One Read



Two Reads



Three Reads



Four Reads





## CODE SELECTION

---

### *DECODING LEVEL*

**Disable**



**Level 1**



**Level 2**



**Level 3**



**Level 4**



**Level 5**



---

### *CHARACTER CORRELATION*

**Disable**



**Enable**



---

### *INTERDIGIT RATIO*

**Accept Any Interdigit Ratio**



**Set Interdigit Ratio**



See page 136



---

**QUIET ZONES**

**Quiet Zone on One Side**



**Quiet Zones on Two Sides**



**Auto**



**Virtual Quiet Zones on Two Sides**



**Small Quiet Zones on Two Sides**



---

**STITCHING**

**Disable**



**Enable**





# CODE SELECTION

## CODE 128

**Disable**



**Enable**



## GS1-128 ENABLE

**Enable GS1-128 (Transmit Labels in Code 128 Data Format)**



**Enable GS1-128 (Transmit Labels in GS1-128 Data Format)**



**Disable GS1-128**



## CODE LENGTH CONTROL

**Variable**



**Fixed**



## SET LENGTH

**Set Length 1 (or Minimum Length)**



See page 138



See page 139

**Set Length 2 (or Maximum Length)**



**CODE SELECTION**

Enter/Exit Configuration



---

***EXPAND TO CODE 39***

**Disable**



**Enable**



---

**Code 128 Check Options**

---

***CHECK TX***

**Disable**



**Enable**



---

***FUNCTION CHARACTER TX***

**Disable**



**Enable**



---

***SUB-CODE CHANGE TX***

**Disable**



**Enable**





## CODE SELECTION

### Code 128 Decoding Options

---

#### *MINIMUM READS*

**One Read**



**Two Reads**



**Three Reads**



**Four Reads**



---

#### *DECODING LEVEL*

**Disable**



**Level 1**



**Level 2**



**Level 3**



**Level 4**



**Level 5**





---

**CHARACTER CORRELATION**

**Disable**



**Enable**



---

**QUIET ZONES**

**No Quiet Zones**



**Quiet Zone on One Side**



**Quiet Zones on Two Sides**



**Auto**



**Virtual Quiet Zones on Two Sides**



---

**STITCHING**

**Disable**



**Enable**





## CODE SELECTION

---

### *ISBT 128 CONCATENATION*

**Disable**



**Enable**



---

### *CONCATENATION MODE*

**Static**



**Dynamic**



---

### *DYNAMIC CONCATENATION TIMEOUT*

**Set Timeout**



See page 137

**CODE SELECTION**

Enter/Exit Configuration



---

***INTERLEAVED 2 OF 5***

**Disable**



**Enable**



---

***CODE LENGTH CONTROL***

**Variable**



**Fixed**



---

***SET LENGTH***

**Set Length 1  
(or Minimum Length)**



See page 138



See page 139

**Set Length 2  
(or Maximum Length)**





## CODE SELECTION

### Interleaved 2 of 5 Check Options

---

#### CHECK CALCULATION

**Disable**



**Enable Standard (Mod 10) Check**



**Enable German Parcel Check**



**Enable DHL Check**



**Enable Daimler Chrysler Check**



**Enable Bosch Check**



**Enable Italian Post Check**



---

#### CHECK TX

**Disable**



**Enable**





Interleaved 2 of 5 Decoding Options

---

*MINIMUM READS*

One Read



Two Reads



Three Reads



Four Reads



---

*DECODING LEVEL*

Disable



Level 1



Level 2



Level 3



Level 4



Level 5





## CODE SELECTION

---

### *CHARACTER CORRELATION*

**Disable**



**Enable**



---

### *STITCHING*

**Disable**



**Enable**



---

### *ZERO PATTERN*

**Disable**



**Enable**



**CODE SELECTION**

Enter/Exit Configuration  


---

**STANDARD 2 OF 5**

**Disable**



**Enable**



---

**CODE LENGTH CONTROL**

**Variable**



**Fixed**



---

**SET LENGTH**

**Set Length 1  
(or Minimum Length)**



See page 138



See page 139

**Set Length 2  
(or Maximum Length)**



---

**Standard 2 of 5 Check Options**

---

**CHECK CALCULATION**

**Disable**



**Enable**





## CODE SELECTION

---

### *CHECK TX*

**Disable**



**Enable**



### Standard 2 of 5 Decoding Options

---

#### *MINIMUM READS*

**One Read**



**Two Reads**



**Three Reads**



**Four Reads**





---

**DECODING LEVEL**

**Disable**



**Level 1**



**Level 2**



**Level 3**



**Level 4**



**Level 5**



---

**CHARACTER CORRELATION**

**Disable**



**Enable**



---

**STITCHING**

**Disable**



**Enable**





## CODE SELECTION

---

### *CODABAR*

**Disable**



**Enable**



---

### *CODE LENGTH CONTROL*

**Variable**



**Fixed**



---

### *SET LENGTH*

**Set Length 1  
(or Minimum Length)**



See page 138



See page 139

**Set Length 2  
(or Maximum Length)**



**CODE SELECTION**

Enter/Exit Configuration



---

***CODABAR ABC***

**Disable**



**Enable**



---

***CONCATENATION MODE***

**Static**



**Dynamic**



---

***DYNAMIC CONCATENATION TIMEOUT***

**Set Timeout**



See page 137



## CODE SELECTION

### Codabar Check Options

---

#### CHECK CALCULATION

Disable



Enable AIM Standard Check



Enable Mod-10 Check



---

#### CHECK TX

Disable



Enable



---

#### START/STOP SET

ABCD/TN\*E



ABCD/ABCD



abcd/tn\*e



abcd/abcd



**CODE SELECTION**

Enter/Exit Configuration



---

***START/STOP TX***

**Disable**



**Enable**



---

***START/STOP MATCH***

**Disable**



**Enable**



**Codabar Decoding Options**

---

***MINIMUM READS***

**One Read**



**Two Reads**



**Three Reads**



**Four Reads**





## CODE SELECTION

---

### *DECODING LEVEL*

**Disable**



**Level 1**



**Level 2**



**Level 3**



**Level 4**



**Level 5**



---

### *CHARACTER CORRELATION*

**Disable**



**Enable**



---

### *INTERDIGIT RATIO*

**Accept Any Interdigit Ratio**



**Set Interdigit Ratio**



See page 136



---

**QUIET ZONES**

**Quiet Zone on One Side**



**Quiet Zones on Two Sides**



**Auto**



**Virtual Quiet Zones on Two Sides**



**Small Quiet Zones on Two Sides**



---

**STITCHING**

**Disable**



**Enable**





## CODE SELECTION

---

### *CODE 11*

**Disable**



**Enable**



---

## *CODE LENGTH CONTROL*

**Variable**



**Fixed**



---

## *SET LENGTH*

**Set Length 1  
(or Minimum Length)**



See page 138



See page 139

**Set Length 2  
(or Maximum Length)**



CODE SELECTION

Enter/Exit Configuration



Code 11 Check Options

---

*CHECK CALCULATION*

Disable



Enable Check C



Enable Check K



Enable Check C and K



---

*CHECK TX*

Disable



Enable





## CODE SELECTION

### Code 11 Decoding Options

---

#### *MINIMUM READS*

**One Read**



**Two Reads**



**Three Reads**



**Four Reads**



---

#### *DECODING LEVEL*

**Disable**



**Level 1**



**Level 2**



**Level 3**



**Level 4**



**Level 5**





---

**CHARACTER CORRELATION**

**Disable**



**Enable**



---

**INTERDIGIT RATIO**

**Accept Any Interdigit Ratio**



**Set Interdigit Ratio**



See page 136

---

**STITCHING**

**Disable**



**Enable**





## CODE SELECTION

---

### *GS1 DATABAR OMNIDIRECTIONAL*

**Disable**



**Enable**



---

### *GS1 DATABAR OMNIDIRECTIONAL GS1-128 EMULATION*

**Disable**



**Enable**



---

### *MINIMUM READS*

**One Read**



**Two Reads**



**Three Reads**



**Four Reads**





***GS1 DATABAR EXPANDED***

**Disable**



**Enable**



***GS1 DATABAR EXPANDED GS1-128 EMULATION***

**Disable**



**Enable**



***CODE LENGTH CONTROL***

**Variable**



**Fixed**



***SET LENGTH***

**Set Length 1  
(or Minimum Length)**



See page 138



See page 139

**Set Length 2  
(or Maximum Length)**





## CODE SELECTION

### GS1 DataBar Expanded Decoding Options

---

#### *MINIMUM READS*

**One Read**



**Two Reads**



**Three Reads**



**Four Reads**



---

#### *COUPON CONTROL*

**Allow All Coupon Barcodes to be Decoded**



**Enable Only UPC-A Coupon Decoding**



**Enable Only GS1 Databar Coupon Decoding**





---

***GS1 DATABAR LIMITED***

**Disable**



**Enable**



---

***GS1 DATABAR LIMITED GS1-128 EMULATION***

**Disable**



**Enable**



---

***MINIMUM READS***

**One Read**



**Two Reads**



**Three Reads**



**Four Reads**





## CODE SELECTION

---

### CODE 93

**Disable**



**Enable**



---

## CODE LENGTH CONTROL

**Variable**



**Fixed**



---

## SET LENGTH

**Set Length 1  
(or Minimum Length)**



See page 138



See page 139

**Set Length 2  
(or Maximum Length)**



CODE SELECTION

Enter/Exit Configuration



Code 93 Check Options

---

*CHECK CALCULATION*

Disable



Enable Check C



Enable Check K



Enable Check C and K



---

*CHECK TX*

Disable



Enable





## CODE SELECTION

### Code 93 Decoding Options

---

#### *MINIMUM READS*

**One Read**



**Two Reads**



**Three Reads**



**Four Reads**



---

#### *DECODING LEVEL*

**Disable**



**Level 1**



**Level 2**



**Level 3**



**Level 4**



**Level 5**



**CODE SELECTION**

Enter/Exit Configuration



---

**CHARACTER CORRELATION**

**Disable**



**Enable**



---

**QUIET ZONES**

**No Quiet Zones**



**Quiet Zone on One Side**



**Quiet Zones on Two Sides**



**Auto**



**Virtual Quiet Zones on Two Sides**



---

**STITCHING**

**Disable**



**Enable**





## CODE SELECTION

---

### *MSI*

**Disable**



**Enable**



---

## CODE LENGTH CONTROL

**Variable**



**Fixed**



---

## SET LENGTH

**Set Length 1  
(or Minimum Length)**



See page 138



See page 139

**Set Length 2  
(or Maximum Length)**



**CODE SELECTION**



**MSI Check Options**

---

***CHECK CALCULATION***

**Disable**



**Enable Mod 10 Check**



**Enable Mod 11/10 Check**



**Enable Mod 10/10 Check**



---

***CHECK TX***

**Disable**



**Enable**





## CODE SELECTION

### MSI Decoding Options

---

#### *MINIMUM READS*

**One Read**



**Two Reads**



**Three Reads**



**Four Reads**



---

#### *DECODING LEVEL*

**Disable**



**Level 1**



**Level 2**



**Level 3**



**Level 4**



**Level 5**



**CODE SELECTION**

Enter/Exit Configuration



---

***STITCHING***

**Disable**



**Enable**



## 5 PARAMETER REFERENCES

---

### 5.1 RS232 PARAMETERS

This section contains explanations and examples of selected barcode features. See the Configuration section for the actual barcode labels used to configure the reader.

#### 5.1.1 RS232 Only

##### Baud Rate

Baud rate is the number of bits of data transmitted per second. Set the reader's baud rate to match the baud rate setting of the host device. With an improper baud rate setting, data may not reach the host correctly.

##### Stop Bits

The stop bit(s) at the end of each transmitted character marks the end of transmission of one character and prepares the receiving device for the next character in the serial data stream. The number of stop bits selected (one or two) depends on the number the receiving terminal is programmed to accommodate. Set the number of stop bits to match host device requirements.

##### Parity

This feature specifies parity required for sending and receiving data. A parity check bit is the most significant bit of each ASCII coded character. Select the parity type according to host device requirements.

- Select None when no parity bit is required.
- Select Odd parity and the parity bit value is set to 0 or 1, based on data, to ensure that an odd number of 1 bits are contained in the coded character.
- Select Even parity and the parity bit value is set to 0 or 1, based on data, to ensure that an even number of 1 bits are contained in the coded character.

## 5.1.2 RS232/USB COM Parameters

### Intercharacter Delay

This parameter specifies the intercharacter delay between the end of one character and the beginning of the next. The delay can be set within a range of zero (0) to 990 milliseconds in 10 ms increments. A setting of zero specifies no delay.

To set the delay:

1. Determine the desired setting in milliseconds (x 10 ms). (0-99).
2. Use the Chart in [Appendix C](#) to find the hex equivalent for the desired numeric value.
3. Go to [page 43](#) and scan the ENTER/EXIT PROGRAMMING MODE barcode to enter Programming Mode.
4. Scan the barcode: SELECT INTERCHARACTER DELAY.
5. Scan the two hex equivalent characters from the keypad in [Appendix B](#) that represent the numeric value determined in step 1 above.

**NOTE**

*If you make a mistake before the last character, scan the CANCEL barcode to abort and not save the entry string. You can then start again at the beginning.*

6. Scan the ENTER/EXIT PROGRAMMING MODE barcode to exit.

This completes the procedure.

### Disable Character

Specifies the value of the RS232 host command used to disable the reader. Selections: a character from NUL (0x00) to DEL (0x7F).

**NOTE**

*The Enable Character must be different from the Disable Character and must not contain reserved characters (see [Appendix D](#)). Setting to previously defined characters such as XON, XOFF, or host commands conflicts with normal operation of these characters. 8-bit data is not recognized when the option Data Bits has been set as 7 Data Bits.*

To set the value:

1. Determine the desired character. A setting of 0xFF indicates the Disable Character is not used (not available).
2. Use the Chart in [Appendix C](#) to find the hex equivalent for the desired character.
3. Go to [page 43](#) and scan the ENTER/EXIT PROGRAMMING MODE barcode to enter Programming Mode.
4. Scan the barcode: SELECT DEVICE DISABLE CHARACTER.
5. Scan the two hex equivalent characters from the keypad in [Appendix B](#) that represent the desired character in step 1 above.
6. Scan the ENTER/EXIT PROGRAMMING MODE barcode to exit Programming Mode.

This completes the procedure.

## Enable Character

Specifies the value of the RS232 host command used to enable the reader. Selections: a character from NUL (0x00) to DEL (0x7F).



### NOTE

*The Enable Character must be different from the Disable Character and must not contain reserved characters (see [Appendix D](#)). Setting to previously defined characters such as XON, XOFF, or host commands conflicts with normal operation of these characters. 8-bit data is not recognized when the option Data Bits has been set as 7 Data Bits.*

To set this feature:

1. Determine the desired character. A setting of 0xFF indicates the Enable Character is not used (not available).
2. Use the Chart in [Appendix C](#) to find the hex equivalent for the desired character.
3. Go to [page 43](#) and scan the ENTER/EXIT PROGRAMMING MODE barcode to enter Programming Mode.
4. Scan the barcode: SELECT DEVICE ENABLE CHARACTER.
5. Scan the two hex equivalent characters from the keypad in [Appendix B](#) that represent the desired character in step 1 above.
6. Scan the ENTER/EXIT PROGRAMMING MODE barcode to exit Programming Mode.

This completes the procedure.

## ACK NAK Options

This enables/disables the ability of the reader to support the RS232 ACK/NAK protocol. When configured, the reader and/or host sends an “ACK” when it receives data properly, and sends “NAK” when the data is in error.

Options are:

- Disable
- Enable for label transmission — The reader expects an ACK/NAK response from the host when a label is sent.
- Enable for host-command acknowledge — The reader will respond with ACK/NAK when the host sends a command.
- Enable for label transmission and host-command acknowledge

## ACK Character

This setting specifies an ASCII character to be used as the ACK character. Selections: a character from NUL (0x00) to DEL (0x7F).



### NOTE

*The ACK Character must be different from the NAK Character and must not contain reserved characters (see [Appendix D](#)). Setting to previously defined characters such as XON, XOFF, or host commands conflicts with normal operation of these characters. 8-bit data is not recognized when the option Data Bits has been set as 7 Data Bits.*

To set this feature:

1. Determine the desired character.
2. Use the Chart in [Appendix C](#) to find the hex equivalent for the desired character.
3. Go to [page 43](#) and scan the ENTER/EXIT PROGRAMMING MODE to enter Programming Mode.
4. Scan the barcode: SELECT ACK CHARACTER.
5. Scan the two hex equivalent characters from the keypad in [Appendix B](#) that represent the desired character in step 1 above.
6. Scan the ENTER/EXIT PROGRAMMING MODE barcode to exit Programming Mode.

This completes the procedure.

## NAK Character

This setting specifies an ASCII character to be used as the NAK character. Selections: a character from NUL (0x00) to DEL (0x7F).



### NOTE

*The ACK Character must be different from the NAK Character and must not contain reserved characters (see [Appendix D](#)). Setting to previously defined characters such as XON, XOFF, or host commands conflicts with normal operation of these characters. 8-bit data is not recognized when the option Data Bits has been set as 7 Data Bits.*

To set this feature:

1. Determine the desired character.
2. Use the Chart in [Appendix C](#) to find the hex equivalent for the desired character.
3. Go to [page 44](#) and scan the ENTER/EXIT PROGRAMMING MODE barcode to enter Programming Mode.
4. Scan the barcode: SELECT NAK CHARACTER.
5. Scan the two hex equivalent characters from the keypad in [Appendix B](#) that represent the desired character in step 1 above.
6. Scan the ENTER/EXIT PROGRAMMING MODE barcode to exit Programming Mode.

This completes the procedure.

## ACK NAK Timeout Value

This option specifies the amount of time the reader waits for an ACK character from the host following label transmission. The selectable timeout range is 200 ms to 15,000 ms (15 seconds) in 200 ms increments. A selection of 0 disables the timeout.

To set this value:

1. Determine the desired setting in milliseconds (x 200 ms). (0-75).
2. Use the Chart in [Appendix C](#) to find the hex equivalent for the desired numeric value.
3. Go to [page 44](#) and scan the ENTER/EXIT PROGRAMMING MODE barcode to enter Programming Mode.
4. Scan the barcode: SELECT ACK NAK TIMEOUT VALUE.
5. Scan the two hex equivalent characters from the keypad in [Appendix B](#) that represent the numeric value determined in step 1 above.

**NOTE**

*If you make a mistake before the last character, scan the CANCEL barcode to abort and not save the entry string. You can then start again at the beginning.*

6. Scan the ENTER/EXIT PROGRAMMING MODE barcode to exit Programming Mode.

This completes the procedure.

## ACK NAK Retry Count

This feature specifies the number of times the reader retries a label transmission due to a retry condition. The selectable range is from 1 to 254 retries. A selection of 0 disables the count (no retries), and a selection of 255 specifies unlimited retries.

To set this feature:

1. Determine the desired number of retries. (0-255).
2. Use the Chart in [Appendix C](#) to find the hex equivalent for the desired numeric value.
3. Go to [page 44](#) and scan the ENTER/EXIT PROGRAMMING MODE barcode to enter Programming Mode.
4. Scan the barcode: SELECT ACK NAK RETRY COUNT.
5. Scan the two hex equivalent characters from the keypad in [Appendix B](#) that represent the numeric value determined in step 1 above.

**NOTE**

*If you make a mistake before the last character, scan the CANCEL barcode to abort and not save the entry string. You can then start again at the beginning.*

6. Scan the ENTER/EXIT PROGRAMMING MODE barcode to exit Programming Mode.

This completes the procedure.

## Keyboard Intercode Delay

This parameter specifies the intercode delay between the end of one code and the beginning of the next. The delay can be set within a range of zero (0) to 99 seconds in 1 second increments. A setting of zero specifies no delay.

To set the delay:

1. Determine the desired setting in seconds. (0-99).
2. Use the Chart in [Appendix C](#) to find the hex equivalent for the desired numeric value.
3. Go to [page 47](#) and scan the ENTER/EXIT PROGRAMMING MODE barcode to enter Programming Mode.
4. Scan the barcode: SELECT INTERCODE DELAY.
5. Scan the two hex equivalent characters from the keypad in [Appendix B](#) that represent the numeric value determined in step 1 above.



### NOTE

*If you make a mistake before the last character, scan the CANCEL barcode to abort and not save the entry string. You can then start again at the beginning.*

6. Scan the ENTER/EXIT PROGRAMMING MODE barcode to exit.

This completes the procedure.

## 5.2 READING PARAMETERS

### 5.2.1 Illumination Mode

#### Illumination Mode

Selects the illumination mode for the reader. The illumination mode can be used to:

- to increase the overall diode life
- to reduce power consumption;
- to turn off the illuminator for safety purposes.

Selections:

**Disabled:** the illuminator is always off.

**Enabled:** the illuminator is always on.

**Triggered:** the illuminator is turned on when the reading phase starts. The illuminator is turned off as soon as the code(s) are read or when the reading phase ends.



### NOTE

*The Triggered selection is ignored for Automatic and Test Operating Modes.*

## 5.2.2 Operating Mode

### Operating Mode

Selects the scan operating mode for the reader. Selections:

**On Line:** the reading phase is defined as the time between the Phase ON and Phase OFF events. The Phase events can be signals coming from the trigger button (or external presence sensor connected to the scanner input for RS232 models).

**Serial On Line:** the reading phase is defined as the time between the Phase ON and Phase OFF events. The Phase events are serial start/stop strings sent from the host over the serial interface.

**Automatic:** The device does not require connections with external presence sensors in this operating mode. In this mode the scanner is continuously scanning. The reading phase is enabled when a barcode enters the reading zone of the scanner and is terminated after an N number of scans without a code, where N is set using the Automatic Threshold selection. The next reading phase will begin when a code enters the reading zone of the scanner again. The N number of scans without a code must be selected to assure code identification in the reading zone. Code transmission is identical to the other operating modes except that there is no transmission on the serial port in the case of a No Read condition.

**Automatic (Object Sense):**The reader is normally in the Object Sense state (a low power/ready-to-read condition). When an item is automatically detected in the reader's field of view, the Automatic operating mode is turned on. The Automatic Threshold assures code identification. When objects are no longer present in the reading field, the Timeout ends Automatic mode and returns the reader to the Object Sense state.

**Test:** The Test mode reports information about the reading performance of the scanner and the code is continuously read. After 100 scans, the following information is transmitted on the serial interface:

- the code content
- percentage of good reads (if the good read percentage is 0 no transmission is done)

The information can be displayed on the Host PC by running a terminal emulator program (ex. Hyper Terminal). The output data format is fixed.

### Automatic Threshold

For Automatic operating modes, the Automatic Threshold sets an N number of scans without a code in order to assure code identification in the reading zone. Selection: a value from 2 to 255.

To set this value:

1. Determine the desired number of reads. (2-255).
2. Use the Chart in [Appendix C](#) to find the hex equivalent for the desired numeric value.
3. Go to [page 51](#) and scan the ENTER/EXIT PROGRAMMING MODE barcode to enter Programming Mode.
4. Scan the barcode: SELECT AUTOMATIC THRESHOLD VALUE.

5. Scan the two hex equivalent characters from the keypad in [Appendix B](#) that represent the numeric value determined in step 1 above.

**NOTE**

*If you make a mistake before the last character, scan the CANCEL barcode to abort and not save the entry string. You can then start again at the beginning.*

6. Scan the ENTER/EXIT PROGRAMMING MODE barcode to exit Programming Mode.

This completes the procedure.

## Phase Off Event

This parameter determines how the reading phase is concluded for On Line and Serial On Line modes:

**Trigger Stop:** the reading phase ends only when a Stop Input or Serial Stop String is received; the Timeout is disabled.

**Timeout:** the reading phase ends only when the Timeout expires; Stop Input or Serial Stop Strings are ignored.

**Trigger Stop-Timeout:** the Stop Input or Serial Stop Strings define the end of the reading phase. If no Stop Input or Serial Stop String is received then the Timeout ends the reading phase.

## Timeout

Determines the Timeout for a Phase Off Event or Automatic Object Sense state as follows.

For On Line and Serial On Line modes, it defines a timeout which determines the maximum length of the reading phase depending on the Phase Off Event selection.

For Automatic (Object Sense) mode, it defines a timeout which allows the reader to return to the Object Sense state after objects are no longer present in the reading field.

Selections: from 40 to 5100 ms in 20 ms increments.

To set this value:

1. Determine the desired setting in milliseconds (x 20 ms). (2-255).
2. Use the Chart in [Appendix C](#) to find the hex equivalent for the desired numeric value.
3. Go to [page 52](#) and scan the ENTER/EXIT PROGRAMMING MODE barcode to enter Programming Mode.
4. Scan the barcode: SELECT TIMEOUT VALUE.
5. Scan the two hex equivalent characters from the keypad in [Appendix B](#) that represent the numeric value determined in step 1 above.

**NOTE**

*If you make a mistake before the last character, scan the CANCEL barcode to abort and not save the entry string. You can then start again at the beginning.*

6. Scan the ENTER/EXIT PROGRAMMING MODE barcode to exit Programming Mode.

This completes the procedure.

## Serial Start

The Serial Start string (max 20 characters), signals the beginning of the reading phase. Selections: characters from NUL (0x00) to ~ (0x7E).



### NOTE

*The Serial Start Character must be different from the Serial Stop Character and must not contain reserved characters (see [Appendix D](#)). Setting to previously defined characters such as XON, XOFF, or host commands conflicts with normal operation of these characters. 8-bit data is not recognized when the option Data Bits has been set as 7 Data Bits.*

To set this feature:

1. Determine the desired character string (max 20).
2. Use the Chart in [Appendix C](#) to find the hex equivalent(s) for the desired character(s).
3. Go to [page 52](#) and scan ENTER/EXIT PROGRAMMING MODE to enter Programming Mode.
4. Scan the barcode: SELECT SERIAL START CHARACTERS.
5. Scan the hex equivalent characters from the keypad in [Appendix B](#) that represent the desired character string in step 1 above.
6. If less than the expected string of 20 characters are selected, scan the ENTER/EXIT barcode to terminate the string.
7. Scan the ENTER/EXIT PROGRAMMING MODE barcode to exit Programming Mode.

This completes the procedure.

## Serial Stop

The Serial Stop string (max 20 characters), signals the end of the reading phase. Selections: characters from NUL (0x00) to ~ (0x7E).



### NOTE

*The Serial Start Character must be different from the Serial Stop Character and must not contain reserved characters (see [Appendix D](#)). Setting to previously defined characters such as XON, XOFF, or host commands conflicts with normal operation of these characters. 8-bit data is not recognized when the option Data Bits has been set as 7 Data Bits.*

To set this feature:

1. Determine the desired character string (max 20).
2. Use the Chart in [Appendix C](#) to find the hex equivalent(s) for the desired character(s).
3. Go to [page 52](#) and scan ENTER/EXIT PROGRAMMING MODE to enter Programming Mode.
4. Scan the barcode: SELECT SERIAL STOP CHARACTERS.
5. Scan the hex equivalent characters from the keypad in [Appendix B](#) that represent the desired character string in step 1 above.

6. If less than the expected string of 20 characters are selected, scan the ENTER/EXIT barcode to terminate the string.
7. Scan the ENTER/EXIT PROGRAMMING MODE barcode to exit Programming Mode.

This completes the procedure.

### 5.2.3 Good Read LED

#### LED Indication

Specifies when the scanner will provide indication upon successfully reading a barcode.  
Selections:

**On Decode** = Indicate Good Read immediately after decoding.

**After Transmission** = Indicate Good Read after code transmission towards host.

### 5.3 DATA FORMATTING

When a barcode is scanned, additional information can be sent to the host computer along with the barcode data. This combination of barcode data and supplementary user-defined data is called a “message string.” The Data Editing features can be used to build specific user-defined data into a message string.

There are several types of selectable data characters that can be sent before and after scanned data. You can specify if they should be sent with all symbologies, or only with specific symbologies. The figure below shows the available elements you can add to a message string:

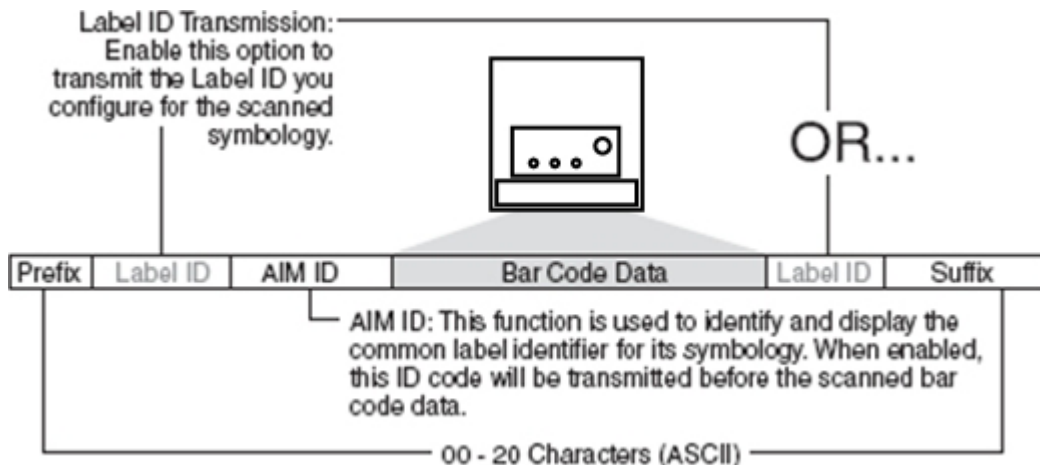


Figure 11 - Breakdown of a Message String



#### NOTE

*Additional advanced formatting is available. See the Advanced Formatting features in the Datalogic Aladdin™ configuration software.*

#### Please Keep In Mind...

- Modifying a message string is not a mandatory requirement. Data editing is a sophisticated feature allowing highly customizable output for advanced users. Factory default settings for data editing is typically set to NONE.
- A prefix (header) or suffix (terminator) may be applied to all messages (set via the [Global Prefix/Suffix](#) feature).
- [Label ID: Pre-loaded Set](#) can be applied to all symbologies, as well as customizing specific Label IDs (set via the [Label ID: Set Individually Per Symbology](#) feature).
- You can add any character from the ASCII Chart (from 0x00 - 0xFF) in [Appendix C](#) as a Prefix, Suffix or Custom Label ID.
- Enter prefixes and suffixes in the order in which you want them to appear in the output.

### 5.3.1 Global Prefix/Suffix

Up to 20 ASCII characters may be added as a prefix (header) in a position before the barcode data, and/or as a suffix (terminator) in a position following the barcode data as indicated in the figure below.

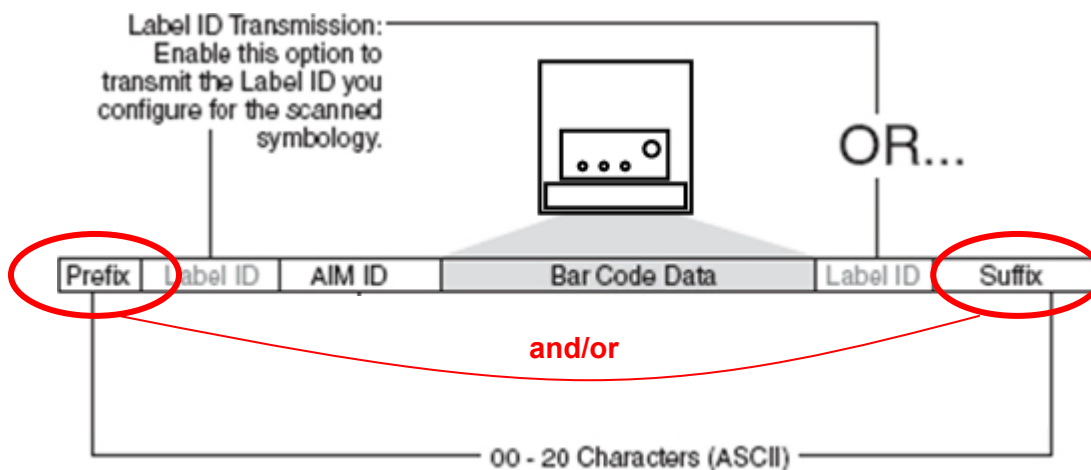


Figure 12 - Prefix and Suffix Positions

#### Example: Setting a Prefix

In this example, we'll set a prefix for all symbologies.

1. Determine which ASCII character(s) are to be added to scanned barcode data (max 20). In this example, we'll add a dollar sign ('\$') as a prefix.
2. Use the Chart in [Appendix C](#) to find the hex equivalent(s) for the desired character(s).
3. Go to [page 56](#) and scan the ENTER/EXIT PROGRAMMING MODE barcode to enter Programming Mode.
4. Scan the SET GLOBAL PREFIX barcode.
5. Scan the hex equivalent characters from the keypad in [Appendix B](#) that represent the desired character string in step 1 above. The corresponding hex number for the '\$' character is 24. To enter this selection code, scan the '2' and '4' barcodes from [Appendix B](#).



#### NOTE

*If you make a mistake before the last character, scan the CANCEL barcode to abort and not save the entry string. You can then start again at the beginning.*

6. If less than the expected string of 20 characters are selected, scan the ENTER/EXIT barcode to terminate the string.
7. Scan the ENTER/EXIT barcode once again to exit Programming Mode.

The resulting message string would appear as follows:

Scanned barcode data: **12345**

Resulting message string output: **\$12345**

## No Read String

This defines the string to be displayed in case of No Read (On Line Mode only).

To set this feature:

1. Determine the desired character string (max 20).
2. Use the Chart in [Appendix C](#) to find the hex equivalent(s) for the desired character(s).
3. Go to [page 56](#) and scan ENTER/EXIT PROGRAMMING MODE to enter Programming Mode.
4. Scan the barcode: SELECT NO READ STRING.
5. Scan the hex equivalent characters from the keypad in [Appendix B](#) that represent the desired character string in step 1 above.
6. If less than the expected string of 20 characters are selected, scan the ENTER/EXIT barcode to terminate the string.
7. Scan the ENTER/EXIT PROGRAMMING MODE barcode to exit Programming Mode.

This completes the procedure.

## 5.3.2 Code Identifiers

### Label IDs

A Label ID is a customizable code of up to three ASCII characters (each can be from 0x00 - 0xFF), used to identify a barcode (symbology) type. It can be appended previous to or following the transmitted barcode data depending upon how this option is enabled. This feature provides options for configuring custom Label IDs as a pre-loaded set (see "Label ID: Pre-loaded Set") or individually per symbology (see "Label ID: Set Individually Per Symbology").

If you wish to program the reader to always include an industry standard label identifier for ALL symbology types, see "Global AIM ID" on [page 132](#).

### Label ID: Pre-loaded Set

The reader supports a pre-loaded set of Label IDs. The following table shows this set.

BARCODE SYMBOLOGY	Factory Label ID Set	Custom
EAN 8	A	
EAN 8 with 2 Add On	J	
EAN 8 with 5 Add On	K	
EAN 13	B	
EAN 13 with 2 Add On	L	
EAN 13 with 5 Add On	M	
UPC A	C	
UPC A with 2 Add On	F	
UPC A with 5 Add On	G	
UPC E	D	
UPC E with 2 Add On	H	
UPC E with 5 Add On	I	
GTIN	\$A	
GTIN with 2 Add On	\$B	
GTIN with 5 Add On	\$C	
Code 39	V	
Code 32	X	
Code 128	T	
GS1-128	k	
ISBN	@	
ISSN	n	
ISBT 128	f	
Interleaved 2 of 5	N	
Standard 2 of 5	P	
Codabar	R	
ABC Codabar	S	
Code 11	b	
GS1 Databar Omnidirectional	u	
GS1 Databar Expanded	t	
GS1 Databar Limited	v	
Code 93	U	
MSI	Z	

## Label ID: Set Individually Per Symbology

To configure a Label ID individually for a single symbology:

1. Go to [page 57](#) and scan the ENTER/EXIT barcode.
2. Select Label ID position as either BEFORE (Enable as Prefix) or AFTER (Enable as suffix) by scanning the appropriate barcode in the section "[Transmit Custom Label IDs](#)" on [page 57](#). Reference the figure below for Label ID positioning options.
3. Scan a barcode to select the symbology for which you wish to configure a custom Label ID from the section "[Custom Label Identifiers](#)" starting on [page 57](#).
4. Determine the desired character(s) (max 3) which will represent the Label ID for the selected symbology.
5. Use the Chart in [Appendix C](#) to find the hex equivalent(s) for the desired character(s).
6. Scan the hex equivalent characters from the keypad in [Appendix B](#) that represent the desired character string in step 4 above. If you wish to select an equal sign, the corresponding hex number for the '=' character is 3D. To enter this selection code, scan the '3' and 'D' barcodes from [Appendix B](#).



### NOTE

*If you make a mistake before the last character, scan the CANCEL barcode to abort and not save the entry string. You can then start again at the beginning.*

7. If less than the expected string of 3 characters are selected, scan the ENTER/EXIT barcode to terminate the string.
8. Scan the ENTER/EXIT barcode once again to exit Programming Mode.

This completes the steps to configure a Label ID for a given symbology.

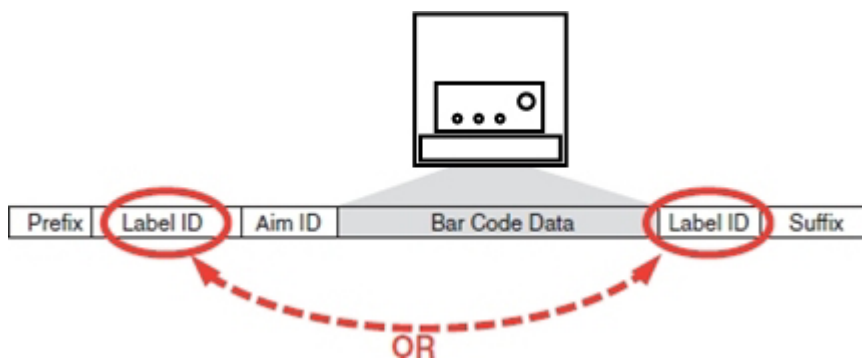


Figure 13 - Label ID Position Options

## Global AIM ID



### NOTE

*This feature enables/disables addition of AIM IDs for all symbology types.*

AIM label identifiers (as opposed to custom Label IDs you select yourself) can be included with scanned barcode data. AIM label identifiers consist of three characters as follows:

- A close brace character (ASCII '['), followed by...
- A code character (see the table below), followed by...
- A modifier character (the modifier character is symbol dependent).

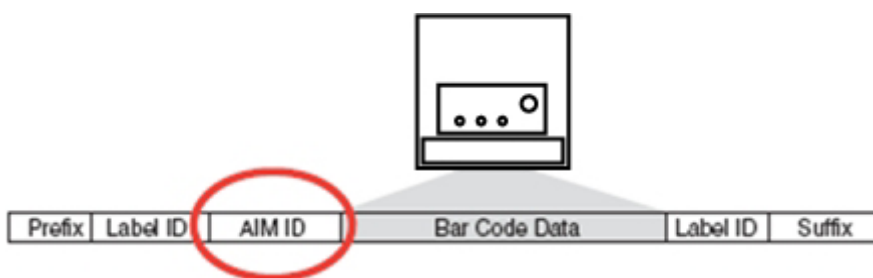


Figure 14 - AIM ID

AIM STANDARD IDENTIFIER TABLE			
BARCODE SYMBOLOGY	AIM STANDARD	BARCODE SYMBOLOGY	AIM STANDARD
EAN 8	] E 4	Code 39	] A y
EAN 8 with 2 Add On	] E 5	Code 32	] X y
EAN 8 with 5 Add On	] E 6	Code 128	] C y
EAN 8 with GS1-128 Add On		GS1-128	] C y
EAN 13	] E 0	ISBN	] C4
EAN 13 with 2 Add On	] E 1	ISSN	] C4
EAN 13 with 5 Add On	] E 2	ISBT 128	] C4
EAN 13 with GS1-128 Add On		Interleaved 2 of 5	] I y
UPC A	] X y	Standard 2 of 5	] S y
UPC A with 2 Add On	] X y	Codabar	] F y
UPC A with 5 Add On	] X y	ABC Codabar	] X y
UPC-A with GS1-128 Add On		Code 11	] G y
UPC E	] X y	GS1 Databar Omnidirectional	] e y
UPC E with 2 Add On	] X y	GS1 Databar Expanded	] e y
UPC E with 5 Add On	] X y	GS1 Databar Limited	] e y
UPC-E with GS1-128 Add On		Code 93	] G y
GTIN	] E 0	MSI	] M y
GTIN with 2 Add On	] E 5		
GTIN with 5 Add On	] E 6		
GTIN with GS1-128 Add On	] E 2		

AIM standard identifiers are not defined for all codes: the X identifier is assigned to the code for which the standard is not defined. The y value depends on the selected options (check digit calculated or not, check digit tx or not, etc.).

### 5.3.3 Code Verifier

#### Match String

This is the string used as the match code for code verification. The Match String must be configured to include start/stop characters and check digits if their transmission is enabled. It is possible to define the Match string by inserting:

- all printable characters
- non printable ASCII characters
- No wild card characters are supported

To set this feature:

1. Determine the desired character string (max 32).
2. Use the Chart in [Appendix C](#) to find the hex equivalent(s) for the desired character(s).
3. Go to [page 55](#) and scan ENTER/EXIT PROGRAMMING MODE to enter Programming Mode.
4. Scan the barcode: SELECT MATCH STRING.
5. Scan the hex equivalent characters from the keypad in [Appendix B](#) that represent the desired character string in step 1 above.
6. If less than the expected string of 32 characters are selected, scan the ENTER/EXIT barcode to terminate the string.
7. Scan the ENTER/EXIT PROGRAMMING MODE barcode to exit Programming Mode.

This completes the procedure.

#### Wrong Code String

This is the string sent in case of a mismatch (wrong code read).

To set this feature:

1. Determine the desired character string (max 20).
2. Use the Chart in [Appendix C](#) to find the hex equivalent(s) for the desired character(s).
3. Go to [page 55](#) and scan ENTER/EXIT PROGRAMMING MODE to enter Programming Mode.
4. Scan the barcode: SELECT WRONG CODE STRING.
5. Scan the hex equivalent characters from the keypad in [Appendix B](#) that represent the desired character string in step 1 above.
6. If less than the expected string of 20 characters are selected, scan the ENTER/EXIT barcode to terminate the string.
7. Scan the ENTER/EXIT PROGRAMMING MODE barcode to exit Programming Mode.

This completes the procedure.

## 5.4 DIGITAL OUTPUTS

### Activation Event

Defines the event activating the output.

Selections:

**Disabled:** the output is always in the selected idle state.

**Good Read:** the event occurs if the code is read.

**No Read:** the event occurs if no code is read.

**Wrong Code:** the event occurs if a code is successfully decoded but does not match the Verifier Code.

### Deactivation Event

Defines the event deactivating the output.

Selections:

**Timeout:** the output deactivation event occurs after the deactivation timeout expires.

**Reading Phase Active:** the output deactivation event occurs, when a start reading phase event takes place.

**Disabled:** No deactivation event occurs.

### Deactivation Timeout

When the Deactivation Event is Timeout, this indicates the maximum duration of the output pulse.

### Active Level

Determines the active state of the output.

Each output can be represented as an NPN transistor; this transistor acts like a switch: so, when the transistor is OFF, it acts like an OPEN switch. On the contrary, when the transistor is ON, it acts like a CLOSED switch.

Selections:

**Active Closed:** the idle state of the output line is open, that is, the NPN transistor is OFF (like an open switch). When the output is activated, the transistor goes ON (like a closed switch).

**Active Open:** the idle state of the output line is closed, that is, the NPN transistor is ON (like a closed switch). When the output is activated, the transistor goes OFF (like an open switch).

## 5.5 POWER SAVE

### Sleep Mode Timeout

Specifies the timeout value for the reader to enter low power Sleep Mode.

This is available only in On Line operating mode.

The reader wakes up when receiving an input signal or trigger button press. The reader cannot connect to Aladdin when in power save mode. It must first receive a wake up from the input signal or trigger button press.

## 5.6 CODE SELECTION

### EAN-UPC Optional Add-On Timer

This option sets the time the reader will look for an add-on when an add-on fragment has been seen and optional add-ons are enabled.

To set this value:

1. Determine the desired setting in milliseconds (x 10 ms). (1-30).
2. Use the Chart in [Appendix C](#) to find the hex equivalent for the desired numeric value.
3. Go to [page 75](#) and scan the ENTER/EXIT PROGRAMMING MODE barcode to enter Programming Mode.
4. Scan the barcode: SET ADD-ON TIMER VALUE.
5. Scan the two hex equivalent characters from the keypad in [Appendix B](#) that represent the numeric value determined in step 1 above.

**NOTE**

*If you make a mistake before the last character, scan the CANCEL barcode to abort and not save the entry string. You can then start again at the beginning.*

6. Scan the ENTER/EXIT PROGRAMMING MODE barcode to exit Programming Mode.

This completes the procedure.

### Decoding Level

Decoding Levels are used to configure a barcode symbology decoder to be very aggressive to very conservative depending on a particular customer's needs.

- **Level 1** results in a very conservative decoder at the expense of not being able to read poorly printed or damaged labels.
- **Level 5** results in a very aggressive decoder. This aggressive behavior allows decoding of poorly printed and damaged labels at the expense of increasing the likelihood of decoding errors.
- **Level 3**, which is the default setting, allows the majority of product labels to be decoded.

There are many factors that determine when to change the decoding level for a particular symbology. These factors include spots, voids, non-uniform bar/space widths, damaged labels, etc. that may be experienced in some barcode labels. If there are many hard to read or damaged labels that cannot be decoded using a conservative setting, increase the decoding level to be more aggressive. If the majority of labels are very good quality labels, or there is a need to decrease the possibility of a decoder error, lower the decoding level to a more conservative level.

## Minimum Reads

This feature specifies the minimum number of consecutive times a label must be decoded before it is accepted as good read.

## Interdigit Ratio

This feature specifies the ratio between an intercharacter space and module for given symbology labels.

To set this value:

1. Determine the desired ratio setting. (1-10).
2. Use the Chart in [Appendix C](#) to find the hex equivalent for the desired numeric value.
3. Go to relative Code Symbology page and scan the ENTER/EXIT PROGRAMMING MODE barcode to enter Programming Mode.
4. Scan the barcode: SET INTERDIGIT RATIO.
5. Scan the two hex equivalent characters from the keypad in [Appendix B](#) that represent the numeric value determined in step 1 above.



### NOTE

*If you make a mistake before the last character, scan the CANCEL barcode to abort and not save the entry string. You can then start again at the beginning.*

6. Scan the ENTER/EXIT PROGRAMMING MODE barcode to exit Programming Mode.

This completes the procedure.

## Character Correlation

When correlation is enabled, the barcode reader will combine label data from multiple scans when decoding. Enabling correlation will help the scanner read labels that have some spots and/or voids. It may also help read labels that have damaged areas. Enabling correlation will also increase the chances that a label will be read incorrectly.

## Stitching

This option enables/disables stitching for given symbology labels. When parts of a barcode are presented to the reader with this feature enabled, the barcode parts will be assembled by the reader's software, and the data will be decoded if all barcode proofing requirements are met.

## Quiet Zones

This feature specifies the number of quiet zones for given symbology labels. Quiet zones are blank areas at the ends of a barcode and are typically 10 times the width of the narrowest bar or space in the label.

### 5.6.1 Concatenation

#### Concatenation Mode

Specifies the concatenation mode between Static and Dynamic. Static requires the concatenated codes to be read in the same scan (simultaneously). Dynamic allows the two codes to be read separately (within the specified Dynamic Concatenation Timeout).

#### Dynamic Concatenation Timeout

Specifies the timeout in 10-millisecond ticks used by the Dynamic Concatenation Mode.

To set this value:

1. Determine the desired setting in milliseconds (x 10 ms). (5-255).
2. Use the Chart in [Appendix C](#) to find the hex equivalent for the desired numeric value.
3. Go to relative Dynamic Concatenation Timeout page and scan the ENTER/EXIT PROGRAMMING MODE barcode to enter Programming Mode.
4. Scan the barcode: SET TIMEOUT.
5. Scan the two hex equivalent characters from the keypad in [Appendix B](#) that represent the numeric value determined in step 1 above.

**NOTE**

*If you make a mistake before the last character, scan the CANCEL barcode to abort and not save the entry string. You can then start again at the beginning.*

6. Scan the ENTER/EXIT PROGRAMMING MODE barcode to exit Programming Mode.

This completes the procedure.

## 5.6.2 Set Length

Length Control allows you to select either variable length decoding or fixed length decoding for the specified symbology.

- **Variable Length:** any length between a minimum and maximum length (inclusive).
- **Fixed Length:** one or two different fixed lengths

### Set Length 1

This feature specifies one of the barcode lengths for Length Control. Length 1 is the minimum label length if in Variable Length Mode, or the first fixed length if in Fixed Length Mode.

The length that can be set varies, depending on the symbology, however Length 1 cannot be 0. Reference the page for your selected symbology to see specific variables.



**NOTE**

**Code 39, Code 128, I 2/5, S 2/5, Code 11, Code 93, MSI**  
*The specified length includes the check character (if any), data and ASCII shift characters. It does not include the start/stop characters.*



**NOTE**

**Codabar**  
*The specified length includes the check character (if any), data and the start/stop characters.*

Follow these instructions to set this feature:

1. Determine the desired character length (varies depending on symbology).
2. Use the Chart in [Appendix C](#) to find the hex equivalent(s) for the desired numeric value.
3. Go to the Set Length page for your selected symbology and scan the ENTER/EXIT PROGRAMMING MODE barcode to enter Programming Mode.
4. Scan the barcode to SELECT LENGTH 1 SETTING for your selected symbology.
5. Scan the two hex equivalent characters from the keypad in [Appendix B](#) that represent the numeric value determined in step 1 above.



**NOTE**

*If you make a mistake before the last character, scan the CANCEL barcode to abort and not save the entry string. You can then start again at the beginning.*

6. Scan the ENTER/EXIT PROGRAMMING MODE barcode to exit Programming Mode.

This completes the procedure.

## Set Length 2

This feature specifies one of the barcode lengths for Length Control. Length 2 is the maximum label length if in Variable Length Mode, or the second fixed length if in Fixed Length Mode.

The length that can be set varies depending on the symbology. For Fixed Length Mode, a setting of 0 specifies to ignore Length 2 (use only Length 1). Reference the page for your selected symbology to see specific variables.



**NOTE**

**Code 39, Code 128, I 2/5, S 2/5, Code 11, Code 93, MSI**

*The specified length includes the check character (if any), data and ASCII shift characters. It does not include the start/stop characters.*



**NOTE**

**Codabar**

*The specified length includes the check character (if any), data and the start/stop characters.*

Follow these instructions to set this feature:

1. Determine the desired character length (varies depending on symbology).
2. Use the Chart in [Appendix C](#) to find the hex equivalent(s) for the desired numeric value.
3. Go to the Set Length page for your selected symbology and scan the ENTER/EXIT PROGRAMMING MODE barcode to enter Programming Mode.
4. Scan the barcode to SELECT LENGTH 2 SETTING for your selected symbology.
5. Scan the two hex equivalent characters from the keypad in [Appendix B](#) that represent the numeric value determined in step 1 above.



**NOTE**

*If you make a mistake before the last character, scan the CANCEL barcode to abort and not save the entry string. You can then start again at the beginning.*

6. Scan the ENTER/EXIT PROGRAMMING MODE barcode to exit Programming Mode.

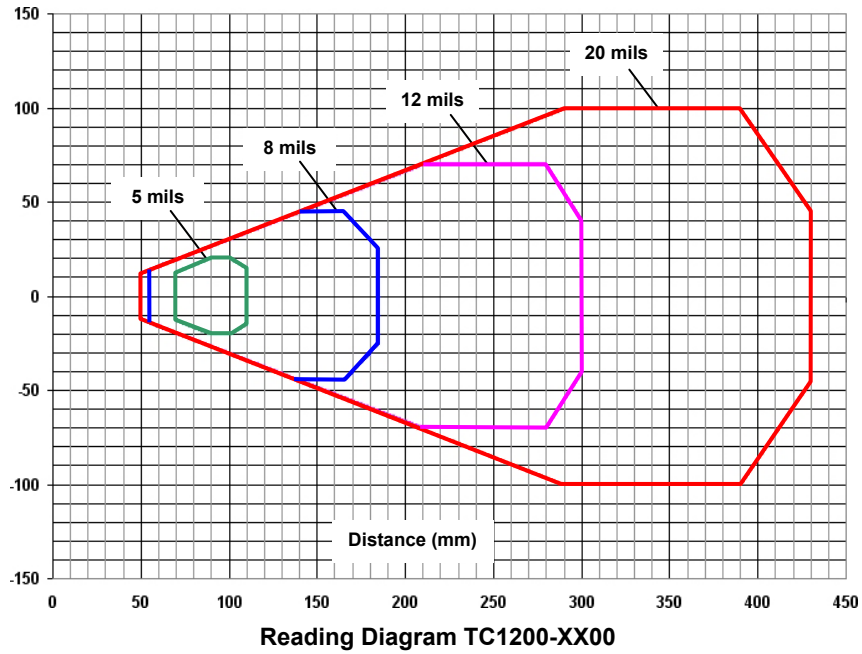
This completes the procedure.

## 6 TECHNICAL FEATURES

<b>Electrical Features</b>	<b>RS232</b>		<b>USB</b>	
Power supply	5 Vdc $\pm$ 5%			
Consumption	350 mA; 1.75 W			
Interfaces	RS232, USB			
Inputs Input 1 (External Trigger), Voltage Current Consumption Minimum Pulse Duration	Optocoupled, polarity insensitive 5 to 30 Vdc 9 mA max. 5 ms			
Outputs Output 1, Output 2 $V_{CE}$ Collector Current $V_{CE}$ Saturation Power Dissipation	Optocoupled 30 Vdc max. 40 mA continuous max.; 130 mA pulsed max. 1V max. at 10 mA 80 mW max. at 45 °C (ambient temperature)			
<b>Reading Features</b>				
Max Scans/sec	320			
Max resolution	0.076 mm (3mils)			
Readable codes:	EAN/UPC, Code 39, Code 32, Code 128, GS1-128, ISBT 128, Interleaved and Standard 2 of 5, Codabar, ABC Codabar, GS1 Databar (Omnidirectional, Limited, Expanded), Code 93, Code 11, MSI			
<b>Physical Features</b>	<b>Scanner</b>		<b>Scan Engine</b>	
	<b>RS232</b>	<b>USB</b>	<b>RS232</b>	<b>USB</b>
Width	57 mm (2.24 inches)		50 mm (1.96 inches)	
Length	50 mm (1.96 inches)		43 mm (1.69 inches)	
Height	31 mm (1.22 inches)		21 mm (0.82 inches)	
Weight - max.	120 g. (4.2 oz.)	105 g. (3.7 oz.)	30 g. (1 oz.)	
<b>Environmental Features</b>				
Operating Temperature ①	0° to +50 °C (+32° to +122 °F)			
Storage Temperature	-20° to +70 °C (-4° to +158 °F)			
Humidity max.	90% non condensing			
Protection Class EN 60529	IP64		-	

### 6.1 READING DIAGRAMS

The following diagram was obtained according to the conditions listed below. Code reading with skew angles of less than 10° may cause decreased performance due to direct light reflection.



(0,0) corresponds to the scanner output window.

**Conditions:**

- Code = Code 39
- Quality = Grade A
- Lighting = No Ambient Light (0 Lux)
- Pitch = 0°
- Skew = 10°
- Tilt = 0°

## A DEFAULT PARAMETERS TABLE

Parameter	Default	Your Setting	Page
<b>GLOBAL INTERFACE FEATURES</b>			
Host Commands — Obey/Ignore	Obey		
<b>RS232 ONLY</b>			
Baud Rate	9600		
Data Bits	8 Data Bits		
Stop Bits	1 Stop Bit		
Parity	None		
<b>RS232/USB-COM</b>			
Intercharacter Delay	No Delay		
Disable Character	'D'		
Enable Character	'E'		
ACK NAK Options	Disable		
ACK Character	'ACK'		
NAK Character	'NAK'		
ACK NAK Timeout Value	600 ms		
ACK NAK Retry Count	3 Retries		
ACK NAK Error Handling	Ignore Errors Detected		
<b>USB-KBD</b>			
Keyboard Country Mode	US		
Keyboard Intercode Delay	No Delay		
Send Control Characters	CTRL+KEY		
USB Keyboard Speed	1 ms		
<b>READING PARAMETERS</b>			
Illumination Mode	Triggered		
Operating Modes	On Line		
Phase Off Event	Trigger Stop		
Automatic Threshold Timeout			
Serial Start	STX		
Serial Stop	ETX		
LED Indication	On Decode		
Label Programming Mode	Enabled		
<b>DATA FORMAT</b>			
Data Transmission	On Decode		
Code Verifier Mode	Disabled		
Match String			
Wrong Code String			
Case Conversion	Disabled		
Global Prefix (Header)	CR		
Global Suffix (Terminator)			
No Read String	CAN		
Transmit AIM IDs	Disabled		
Transmit Custom Label IDs	Disabled		
Custom Label Identifiers	See table on page 130		

Parameter	Default	Your Setting	Page
<b>DIGITAL OUTPUTS</b>			
<b>OUTPUT 1</b>			
Activation Event	Disabled		
Deactivation Event	Disabled		
Deactivation Timeout	500 ms		
Active Level	Active Closed		
<b>OUTPUT 2</b>			
Activation Event	Disabled		
Deactivation Event	Disabled		
Deactivation Timeout	500 ms		
Active Level	Active Closed		
<b>POWER SAVE</b>			
Sleep Mode Timeout	Disabled		
<b>CODE SELECTION</b>			
<b>UPC-A</b>			
UPC-A	Enable		
Check Character Tx	Enable		
Expand to EAN-13	Disable		
Number System Tx	Enable		
Minimum Reads	One Read		
Coupon Control	Enable only UPC-A		
<b>UPC-E</b>			
UPC-E	Enable		
Check Character Tx	Enable		
Expand to UPC-A	Disable		
Expand to EAN-13	Disable		
Number System Tx	Enable		
Minimum Reads	Two Reads		
<b>EAN-13</b>			
EAN-13	Enable		
Check Character Tx	Enable		
ISBN Conversion	Disable		
ISSN Conversion	Disable		
Flag 1 Character	Enable		
Minimum Reads	One Read		
Coupon Control	Enable only UPC-A		
<b>EAN-8</b>			
EAN-8	Enable		
Check Character Tx	Enable		
Expand to EAN-13	Disable		
Minimum Reads	One Read		
<b>Add-Ons</b>			
P2 Add-On	Disable		
P5 Add-On	Disable		
P2 Minimum Reads			
P5 Minimum Reads			
Optional Add-On Timer	70 ms		

Parameter	Default	Your Setting	Page
<b>CODE SELECTION (continued)</b>			
<b>EAN/UPC Global Settings</b>			
GTIN Format	Disable		
Decoding Level	Level 2		
Character Correlation	Disable		
In-Store Minimum Reads	Two Reads		
<b>Code 39</b>			
Code 39	Enable		
Code 39 Full ASCII	Disable		
Code Length Control	Variable		
Set Length	2 - 50		
Code 32 (Italian Pharma)	Disable		
Code 32 Check Tx			
Code 32 Start/Stop Tx			
<b>Code 39 Check Options</b>			
Check Calculation	Disable		
Code 39 Check Tx	Enable		
Code 39 Start/Stop Tx	Disable		
<b>Code 39 Decoding Options</b>			
Minimum Reads	Two Reads		
Decoding Level	Level 3		
Character Correlation	Disable		
Interdigit Ratio	4		
Quiet Zones	Auto		
Stitching	Enable		
<b>Code 128 (GS1-128)</b>			
Code 128	Enable		
GS1-128 Enable	Enable GS1-128 (Transmit Labels in GS1-128 Data Format)		
Code Length Control	Variable		
Set Length	1 - 80		
Expand to Code 39	Disable		
<b>Check Options</b>			
Check Tx	Disable		
Function Character Tx	Disable		
Sub-Code Change Tx	Disable		
<b>Decoding Options</b>			
Minimum Reads	One Read		
Decoding Level	Level 3		
Character Correlation	Disable		
Quiet Zones	Auto		
Stitching	Enable		
<b>ISBT 128</b>			
ISBT 128 Concatenation	Disable		
Force Concatenation			
Concatenation Mode			
Dynamic Concat. Timeout			
Chain 0 - Chain 15			

Parameter	Default	Your Setting	Page
<b>CODE SELECTION (continued)</b>			
<b>Interleaved 2 of 5 (I 2 of 5)</b>			
I 2 of 5	Disable		
<b>Standard 2 of 5</b>			
Standard 2 of 5	Disable		
<b>Codabar</b>			
Codabar	Disable		
<b>Code 11</b>			
Code 11	Disable		
<b>GS1 Databar Omnidirectional</b>			
GS1 Databar Omnidirectional	Disable		
<b>GS1 Databar Expanded</b>			
GS1 Databar Expanded	Disable		
<b>GS1 Databar Limited</b>			
GS1 Databar Limited	Disable		
<b>Code 93</b>			
Code 93	Disable		
<b>MSI</b>			
MSI	Disable		

**B KEYPAD**

---





**C ASCII/HEX/DECIMAL CHART**

Char	Hex	Dec	Char	Hex	Dec	Char	Hex	Dec
NUL	00	0	*	2A	42	U	55	85
SOH	01	1	+	2B	43	V	56	86
STX	02	2	,	2C	44	W	57	87
ETX	03	3	-	2D	45	X	58	88
EOT	04	4	.	2E	46	Y	59	89
ENQ	05	5	/	2F	47	Z	5A	90
ACK	06	6	0	30	48	[	5B	91
BEL	07	7	1	31	49	\	5C	92
BS	08	8	2	32	50	]	5D	93
HT	09	9	3	33	51	^	5E	94
LF	0A	10	4	34	52	~	5F	95
VT	0B	11	5	35	53	̀	60	96
FF	0C	12	6	36	54	a	61	97
CR	0D	13	7	37	55	b	62	98
SO	0E	14	8	38	56	c	63	99
SI	0F	15	9	39	57	d	64	100
DLE	10	16	:	3A	58	e	65	101
DC1	11	17	;	3B	59	f	66	102
DC2	12	18	<	3C	60	g	67	103
DC3	13	19	=	3D	61	h	68	104
DC4	14	20	>	3E	62	i	69	105
NAK	15	21	?	3F	63	j	6A	106
SYN	16	22	@	40	64	k	6B	107
ETB	17	23	A	41	65	l	6C	108
CAN	18	24	B	42	66	m	6D	109
EM	19	25	C	43	67	n	6E	110
SUB	1A	26	D	44	68	o	6F	111
ESC	1B	27	E	45	69	p	70	112
FS	1C	28	F	46	70	q	71	113
GS	1D	29	G	47	71	r	72	114
RS	1E	30	H	48	72	s	73	115
US	1F	31	I	49	73	t	74	116
SPACE	20	32	J	4A	74	u	75	117
!	21	33	K	4B	75	v	76	118
"	22	34	L	4C	76	w	77	119
#	23	35	M	4D	77	x	78	120
\$	24	36	N	4E	78	y	79	121
%	25	37	O	4F	79	z	7A	122
&	26	38	P	50	80	{	7B	123
'	27	39	Q	51	81		7C	124
(	28	40	R	52	82	}	7D	125
)	29	41	S	53	83	~	7E	126
			T	54	84	DEL	7F	127

Char	Hex	Dec	Char	Hex	Dec	Char	Hex	Dec
	80	128		AA	170		D5	213
	81	129		AB	171		D6	214
	82	130		AC	172		D7	215
	83	131		AD	173		D8	216
	84	132		AE	174		D9	217
	85	133		AF	175		DA	218
	86	134		B0	176		DB	219
	87	135		B1	177		DC	220
	88	136		B2	178		DD	221
	89	137		B3	179		DE	222
	8A	138		B4	180		DF	223
	8B	139		B5	181		E0	224
	8C	140		B6	182		E1	225
	8D	141		B7	183		E2	226
	8E	142		B8	184		E3	227
	8F	143		B9	185		E4	228
	90	144		BA	186		E5	229
	91	145		BB	187		E6	230
	92	146		BC	188		E7	231
	93	147		BD	189		E8	232
	94	148		BE	190		E9	233
	95	149		BF	191		EA	234
	96	150		C0	192		EB	235
	97	151		C1	193		EC	236
	98	152		C2	194		ED	237
	99	153		C3	195		EE	238
	9A	154		C4	196		EF	239
	9B	155		C5	197		F0	240
	9C	156		C6	198		F1	241
	9D	157		C7	199		F2	242
	9E	158		C8	200		F3	243
	9F	159		C9	201		F4	244
	A0	160		CA	202		F5	245
	A1	161		CB	203		F6	246
	A2	162		CC	204		F7	247
	A3	163		CD	205		F8	248
	A4	164		CE	206		F9	249
	A5	165		CF	207		FA	250
	A6	166		D0	208		FB	251
	A7	167		D1	209		FC	252
	A8	168		D2	210		FD	253
	A9	169		D3	211		FE	254
				D4	212		FF	255

## D RESERVED CHARACTERS

Reserved Characters	Hex Value	Notes
[SOH]	0x01	
[BEL]	0x07	
#	0x23	
\$	0x24	
0	0x30	
3	0x33	
B	0x42	
D	0x44	
E	0x45	
F	0x46	
R	0x52	
S	0x53	
h	0x68	
i	0x69	
s	0x73	
t	0x74	
[FF]	0xFF	
<b>Reserved Strings</b>		
<b>C&lt;up to 36 chars&gt;[CR]</b>	0x43 <xxx> 0x0D	C can be used without [CR] or inside a string (not the first character)
<b>01[CR]</b>	0x30 0x31 0x0D	
<b>34[CR]</b>	0x33 0x34 0x0D	

**Datalogic Automation S.r.l.**

Via Lavino 265

40050 Monte San Pietro

Bologna - Italy

[www.automation.datalogic.com](http://www.automation.datalogic.com)*declares that the***TC1200; Compact CCD Reader***and all its models**are in conformity with the requirements of the European Council Directives listed below:***2004 / 108 / EC EMC Directive***This Declaration is based upon compliance of the products to the following standards:***EN 55022 ( CLASS A ITE ), SEPTEMBER 1998:***INFORMATION TECHNOLOGY EQUIPMENT  
RADIO DISTURBANCE CHARACTERISTICS  
LIMITS AND METHODS OF MEASUREMENTS***EN 61000-6-2, SEPTEMBER 2005:***ELECTROMAGNETIC COMPATIBILITY (EMC)  
PART 6-2: GENERIC STANDARDS - IMMUNITY FOR INDUSTRIAL  
ENVIRONMENTS*

Monte San Pietro, July 20th, 2010

Lorenzo Girotti  
Product & Process Quality Manager

